



# SQ Junior SINGLE SPEED PUMP



## ECONOMICAL, COMPACT AND BUILT TO LAST

If you're after a no-fuss pool pump that will work perfectly for your pool, then the Poolrite single-speed Pump is the ideal solution. Built to stand the test of time, it is ideal for tight locations where noise is a concern. You can rely on the SQ Junior to keep performing year after year.



### Set and forget

Don't want complicated set up, this pump is for you. Simply plug it in to your chlorinator and let it work its magic.



### Low maintenance

Featuring Poolrite's renowned lid design for fast and easy basket access, is a hassle-free choice due to its ease of cleaning and maintenance.



### Ultra quiet operation

Through intelligent noise suppression design with thicker housing material and efficient impeller design, pump noise is at its lowest. Ideal for use during off-peak times.



### Built to Last

With corrosion-resistant components, including a 316 stainless steel shaft and Viton seal, our pump guarantees longevity and resilience against harsh conditions.



### Proven performance

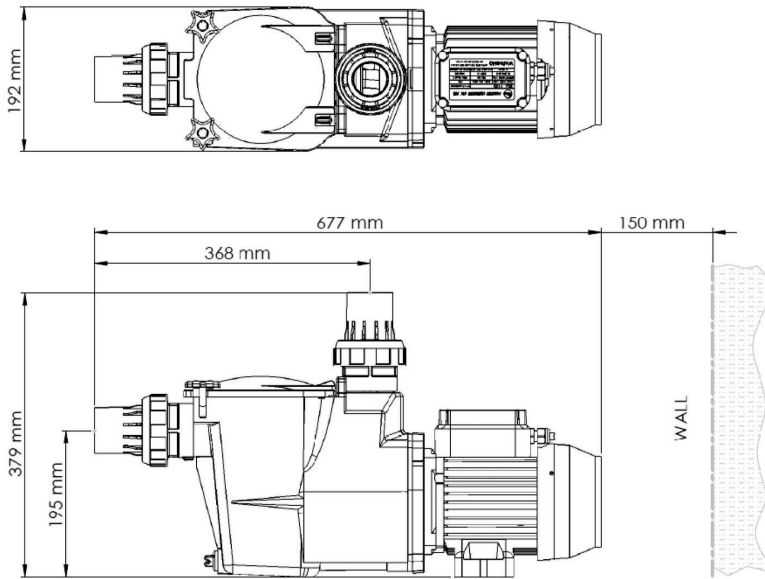
All Poolrite pumps are backed by decades of rigorous testing ensuring that our pumps last the longest in the market.



### Peak Performance

Featuring a glass-reinforced impeller, our pool pump optimizes water flow and pressure, ensuring top efficiency.

# Product Overview



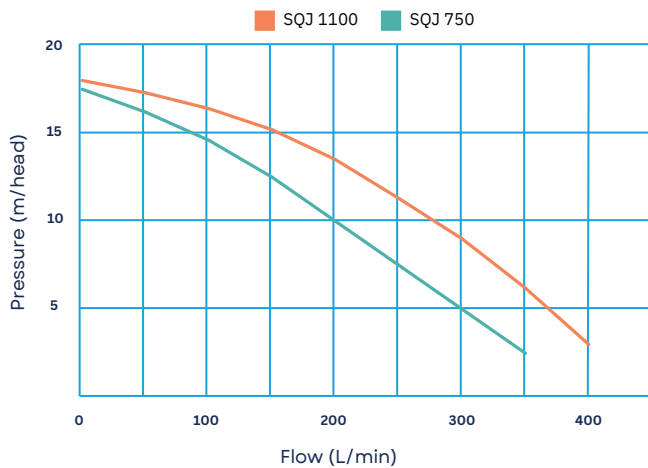
## The Perfect Fit

When you swap the SQ Junior for other Poolrite pumps you can effortlessly install it without modifying the plumbing.

The SQ Junior is designed to be compatible with all Poolrite SQ models, including the SQI Series, SQ Pro, and SQ Gemini.

## Warranty

- ✓ 10-year pump housing\*
- ✓ 4-year motor and all other components



## Specifications

MODEL NAME	OUTPUT HP	VOLTS	PHASE	INPUT WATTS	OUTPUT WATTS	FULL LOAD AMPS	FLOW RATE @ 8M/H	ENERGY STAR RATINGS
SQ Junior 750	1.0	240	Single	1170	750	5.0	240 lpm	1
SQ Junior 1100	1.5	240	Single	1500	1100	6.6	330 lpm	1



Poolrite Manufacturing ABN

For all sales enquiries, email:  
[orders@poolrite.com.au](mailto:orders@poolrite.com.au)  
 For Technical support, call: 1300 368 300

Want to learn more about our product range?

Visit [poolrite.com.au](http://poolrite.com.au)

