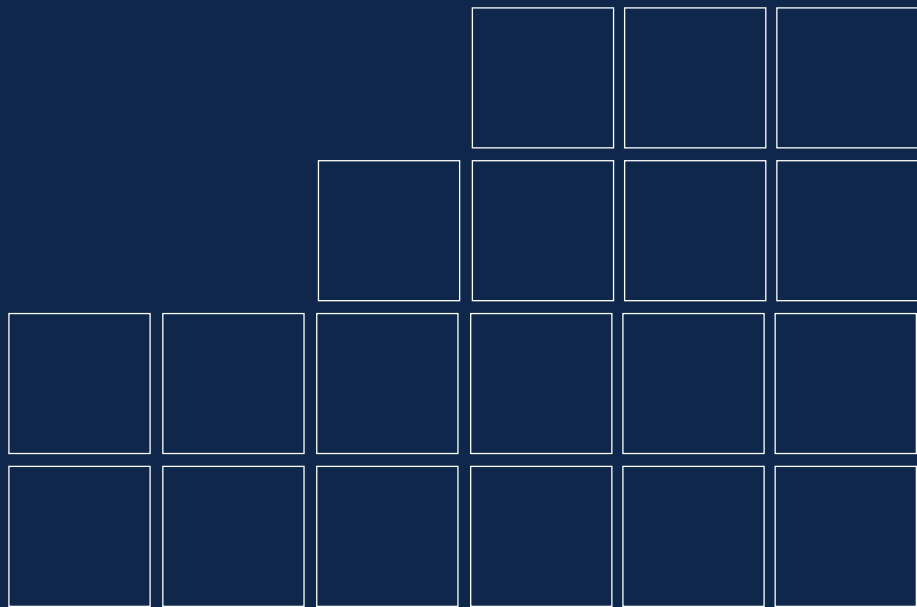




INSTALLATION GUIDE

Tiling Guide

Arena | Studio | Original | Max



Tiling Guide

Purchased your Plungie as a blank shell?

When purchasing a Plungie as a blank shell, meaning without our standard ecoFinish internal coating, the Plungie will require waterproofing in-field before the internal tile finish can be carried out.

We recommend engaging a trade qualified tiler who has experience waterproofing and tiling concrete pools as this is a critical step in finishing the internal of the Plungie.

The below recommendations have been put forward by Living Style Landscapes as a general guide to assist in scoping your project.

Waterproofing the shell

Product	Laticrete Hydro Ban
Coats	Two
Application	As per product direction
	Further information on Laticrete Hydro Ban can be found here.

Gluing + grouting small mosaic tiles

Glue	Mapei Keracolor FF in selected grout colour mixed with Mapei Liquid additive (mix turns grout to glue).
Grout	Mapei Keracolor FF in selected grout colour mixed with water, as per product description.
	Further information on Mapei Keracolor FF can be found here.

Gluing + grouting large format tiles

Glue	Laticrete 335
	Further information on Laticrete 335 can be found here.
Grout	Mapei Keracolor FF
	Further information on Mapei Keracolor FF can be found here.

Tiling Guide

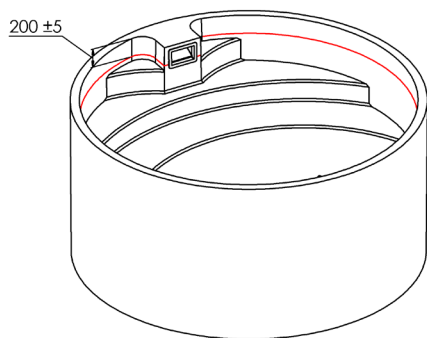
Waterline Tile Provision

When selecting ecoFinish, a provision can be made for the ecoFinish to stop at the bottom of the skimmer entry. This will allow you to apply a waterline tile to your pool once installed.

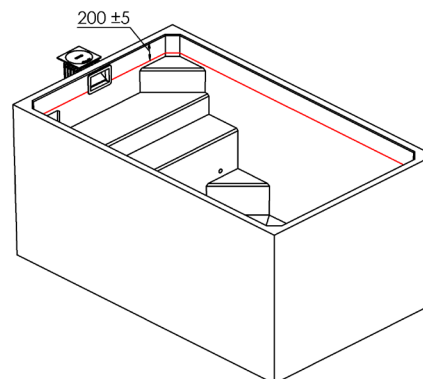
The location for the waterline is approximately 200mm \pm 5mm from the top of the pool, with our ecoFinish stopping slightly above the first corner step.

Waterline tile provision measurements

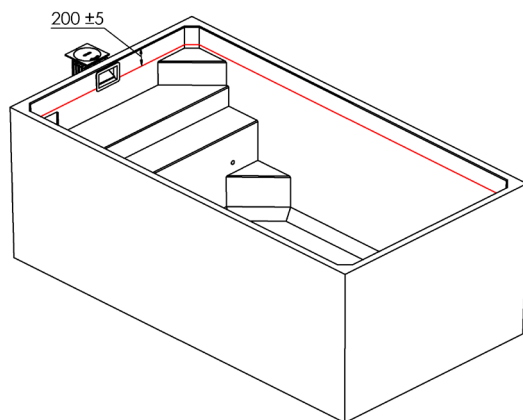
Plungie Arena



Plungie Studio



Plungie Original



Plungie Max

