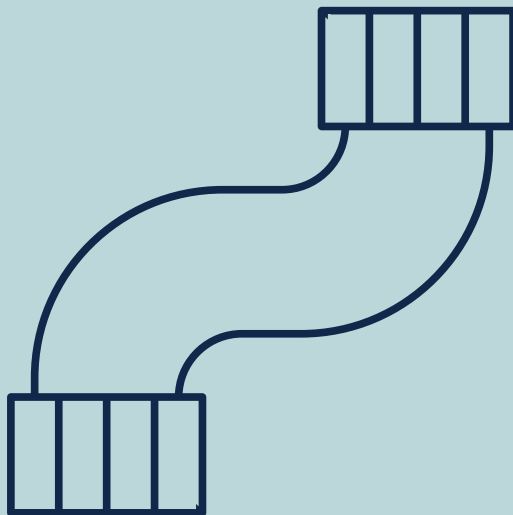


INSTALLATION GUIDE
ARENA | STUDIO | ORIGINAL | MAX

Step 06

Plumb Up



V 3.0

Our 8 step process to installing your Plungie

[Click here](#) to access the complete Plungie Install Guide.

Alternatively, you can click on any of the 8 icons below, each representing a specific step in the installation process.

Clicking on an icon will take you directly to the corresponding guide, allowing you to access the information you need quickly and easily.



Choose Plungie



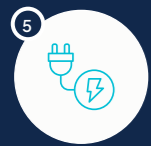
Building Approval



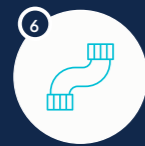
Site Preparation



Crane Hire



Electrical + Backfill



Plumb Up



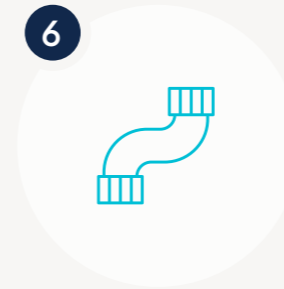
Finishings + Surrounds



Fill + Start Up

This information is offered as a general guide only, and specific advice should always be sought by engaging with an engineer before undertaking any installations specific to your site.

Whilst Plungie Pty Ltd has made every effort to ensure the accuracy and effectiveness of this information, we make no representation as to the accuracy or effectiveness of the information and take no responsibility for any loss, damage or injury which may be caused as a direct or indirect result of the use of this information.



Step 06 Plumb Up

- ALLOW PROVISIONS FOR EQUIPMENT
- EQUIPMENT PAD
- PLUMB UP
- CONNECT EQUIPMENT

The content provided in this guide is part of an 8 step process extracted from the [Plungie Install Guide](#)

This guide is intended to provide you with a brief overview of this step, within our 8 step process. However, it's important to note that this excerpt should be read in conjunction with our more detailed guide and engineering set.

The more detailed guide and engineering set contain critical information that will help ensure a successful installation, and we highly recommend that you refer to them throughout the process.

By doing so, you'll have access to all the necessary information, including installation diagrams, specifications, and step-by-step instructions.

So, let's get started!



This guide is continually updated, please ensure you are accessing it via the link provided to ensure you are viewing the latest copy.

Step 6

Plumb Up

Plumb Up	43
Plumbing Guide: Provision Labels / Index	44
Three internal provision configuration	45
Five internal provision configuration	46
Spa Configuration	47
Fire Provisions	48
Accessory Holder	50
Auto Top-Up	52
Equipment Guides + Troubleshooting	53
Standard Equipment Configuration	54
LED Light Connection	56
Water Overflow Provision	57

GET READY TO...

- Ensure required power provisions are made available
- Plumb Up
- Connect Equipment

Plumb Up

Every Plungie is supplied with its primary plumbing fixtures pre-fitted. This includes the skimmer box and provisions for general filtration.

This plumbing configuration means that you no longer need your nominated plumbing service on site at time of delivery. It's as simple as craning into place, back-fill and put your Plungie "to sleep" with the construction cover pre-fitted. Allowing you to work around the pool safely during construction.

The pool will then require a plumb-up service to connect the general filtration equipment to these pre-fitted provisions. Depending on the chosen equipment, this can be completed by a pool service professional, builder, pool builder, or a plumber.

Please note Class 9 rigid pipework must be used for the pipe runs.

A standard equipment package can also be included when purchasing your Plungie including pump, chlorinator and filter.

PUMP LOCATION

We recommend the location of your pump to not exceed 12 metres distance from your pool. If it exceeds this distance you may require a more powerful pump or to run the pump for a longer duration to achieve the same results.

Refer to the product specification sheet from your pump manufacturer for a performance chart.

PLUNGIE WILL SUPPLY YOU WITH:

- All primary plumbing (skimmer box, hydrostatic valve and filtration returns)
- A plumbing installation guide, which outlines the provisions in your Plungie and how your equipment needs to be set up.



You will be required to:

- Ensure that the required power provisions are made available for the equipment package to run
- Standard package requires a 10amp double GPO
- A 600mm x 900mm concrete pad with 1 metre clearance is recommended to house your equipment. If your pool is out of the ground, the stair void is the perfect location.
- Photograph pipe runs from pool pre-plumbing to the pool equipment.
- Pressure testing of complete pipe runs from internal fittings to the equipment, holding 45 PSI for a minimum period of 1 hour.

Plumbing Guide

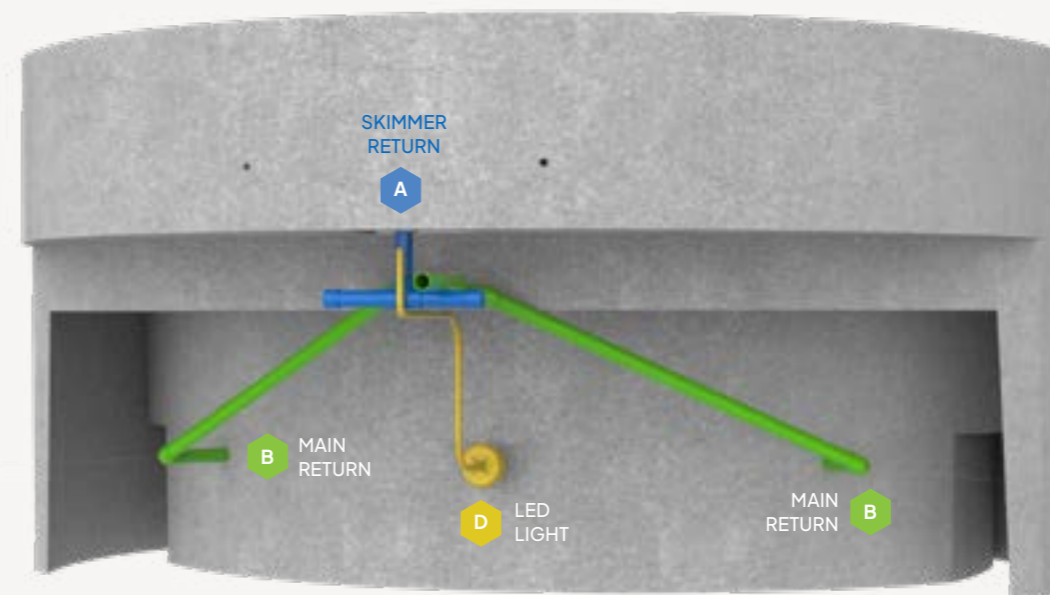
Provision Labels + Usage



REGULAR PROVISIONS	DIAMETER	FUNCTION
A SKIMMER SUCTION	50mm	Main pipe from the skimmer box to pool equipment providing chlorination and filtration.
B MAIN RETURN	40mm	Primary return plumbing returning water from chlorination and filtration through eyeball outlets.
C SAFETY SUCTION	40mm	Safety suction provisions for use when second pump requirements are needed (For spa jets)
D LED LIGHT	40mm	Wiring for pre-fitted LED light. Requires connection to supplied transformer and 240V

OPTIONAL PROVISIONS	DIAMETER	FUNCTION
E SPA JET RETURN	40mm	Spa jet (optional extra) outlets providing additional outlet and connection to spa equipment.
F VENTURI JET	25mm	Spa jet (optional extra) venturi valve connection to provide access for air intake. Note: Air Venturi control valves are not provided.
G FIRE PROVISION	25mm	Spa jet (optional extra) venturi valve connection to provide access for air intake.

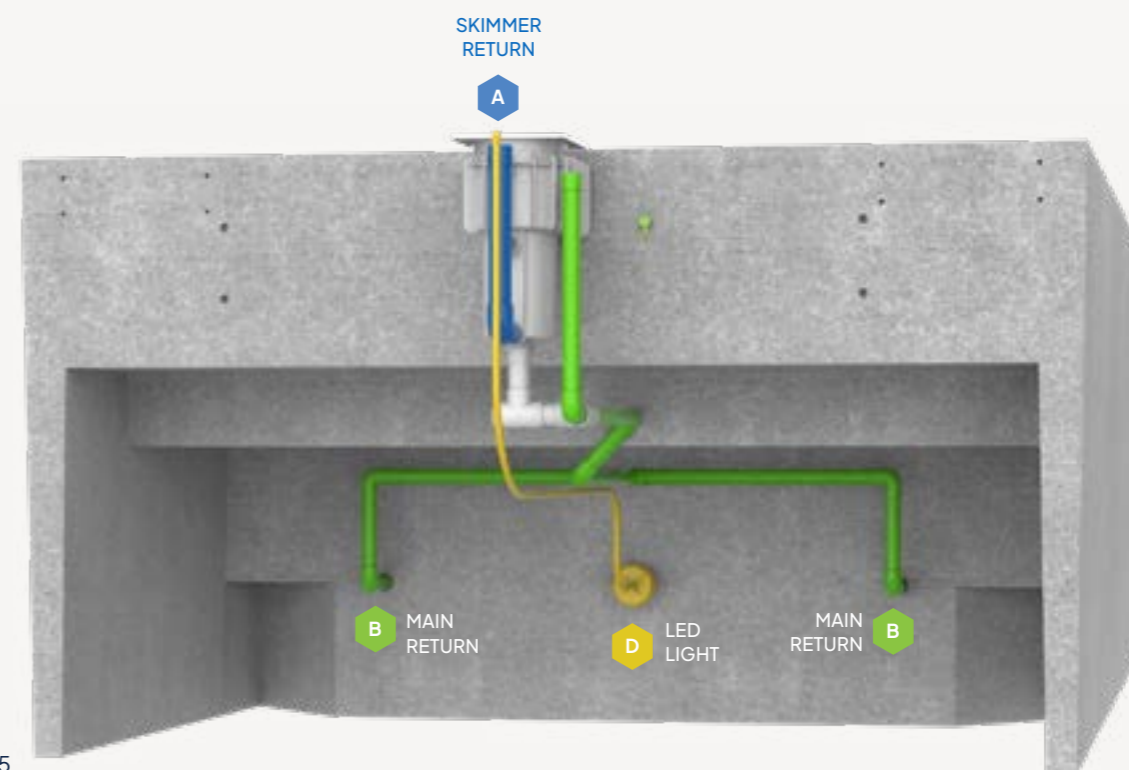
ARENA



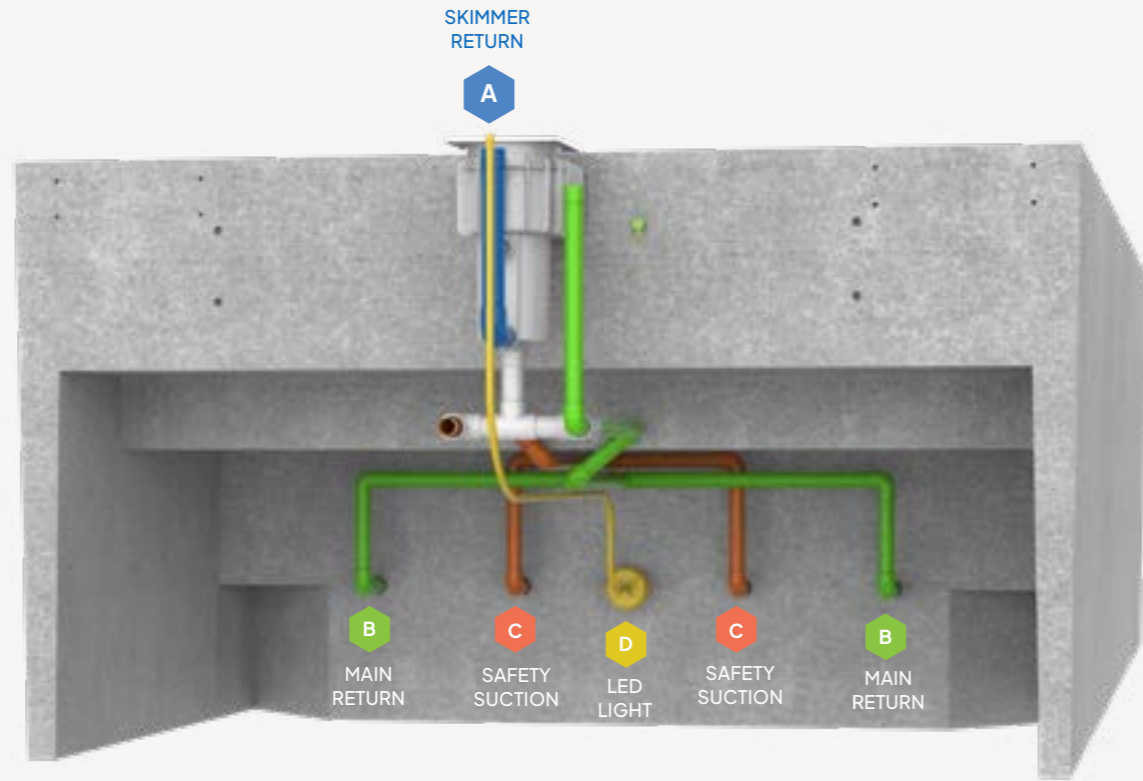
NOTE
Additional piping is secured under the Arena for transport.

NOTE
Suction from the skimmer is sealed on either side of a T junction to give flexibility with installation. Cut only one end of the junction for access.

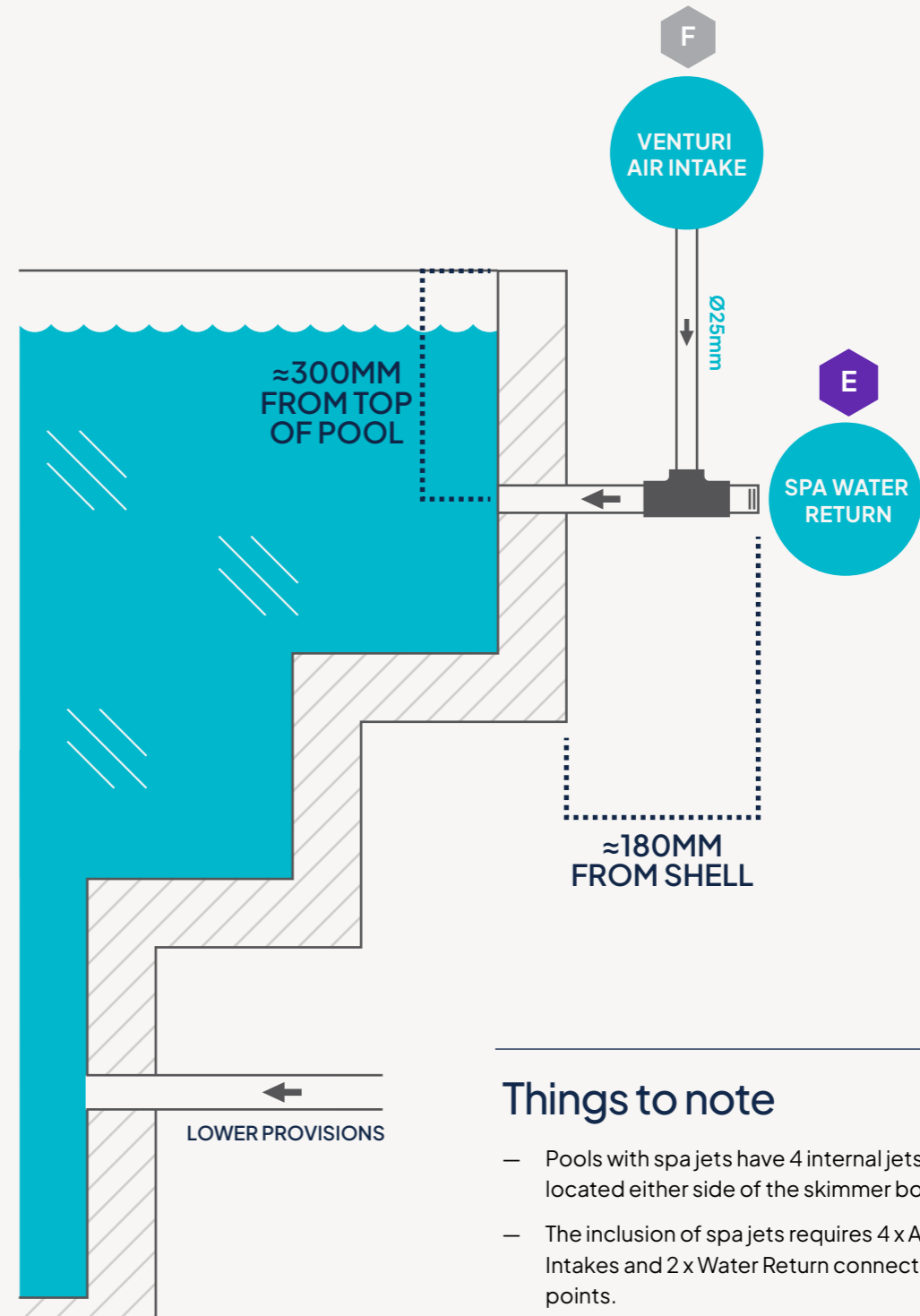
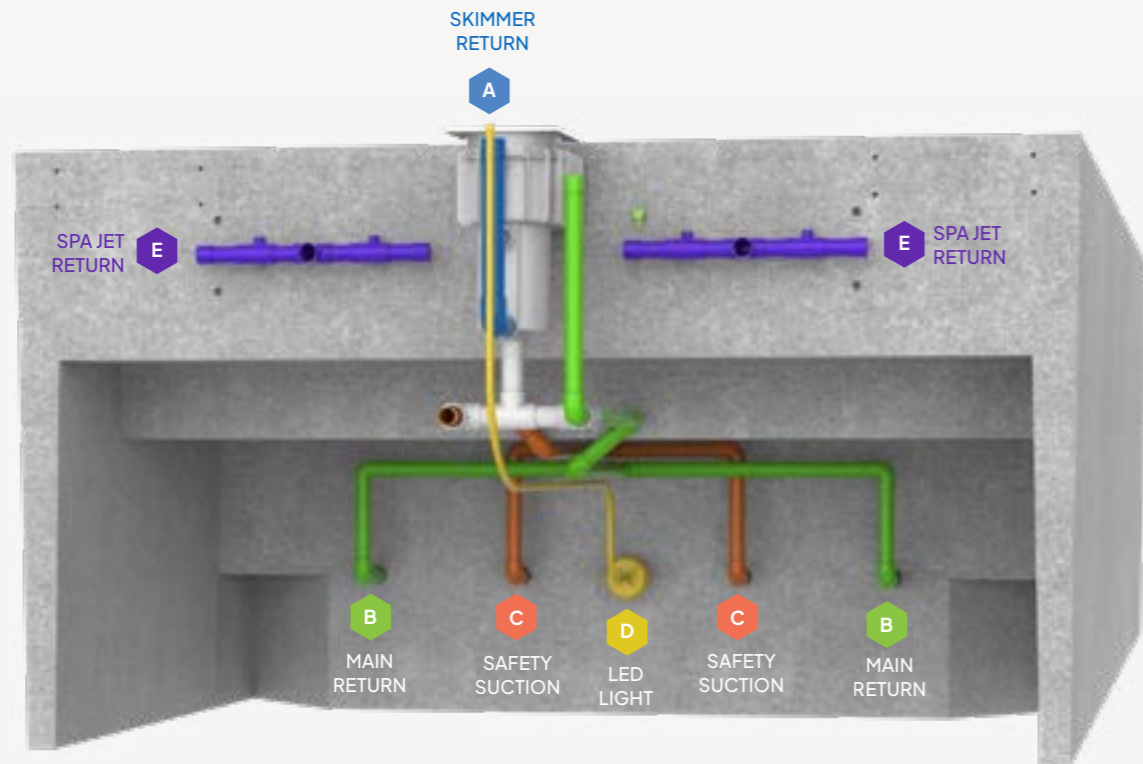
STUDIO, ORIGINAL, MAX



5 PROVISIONS



5 PROVISIONS + SPA JETS



Things to note

- Pools with spa jets have 4 internal jets located either side of the skimmer box.
- The inclusion of spa jets requires 4 x Air Intakes and 2 x Water Return connection points.
- Spa jets must be included at the time of order and cannot be retrofitted to finished pool shells.
- All spa jets need to be plumbed up into one return line to maintain maximum pressure between all jets evenly.

Fire Provisions

WHAT EXACTLY IS A FIRE PROVISION?

A fire provision is a small modification that can be made to the pool shell, allowing it to be used as a firefighting water source. This provision provides for 2 additional suction points, which allows a valve to be added to the pool, which can ultimately be connected to a hydrant or pump connection for firefighting.

In the past, we received requests from homeowners in bushfire-prone areas to add a fire provision to their Plungie. We thought this was a great idea, and in the spirit of continuous improvement, we've introduced this as a standard modification that can be added to our Original and Max models.

CAN A FIRE PROVISION BE ADDED TO ALL PLUNGIE MODELS?

We offer fire provisions on our Original and Max models as they are the ideal size for a static water supply for your property. After all, the Max is the world's largest monolithic pre-cast concrete swimming pool!! Like most of our add-ons and modifications, a fire provision must be requested at the time of ordering and cannot be retrofitted.



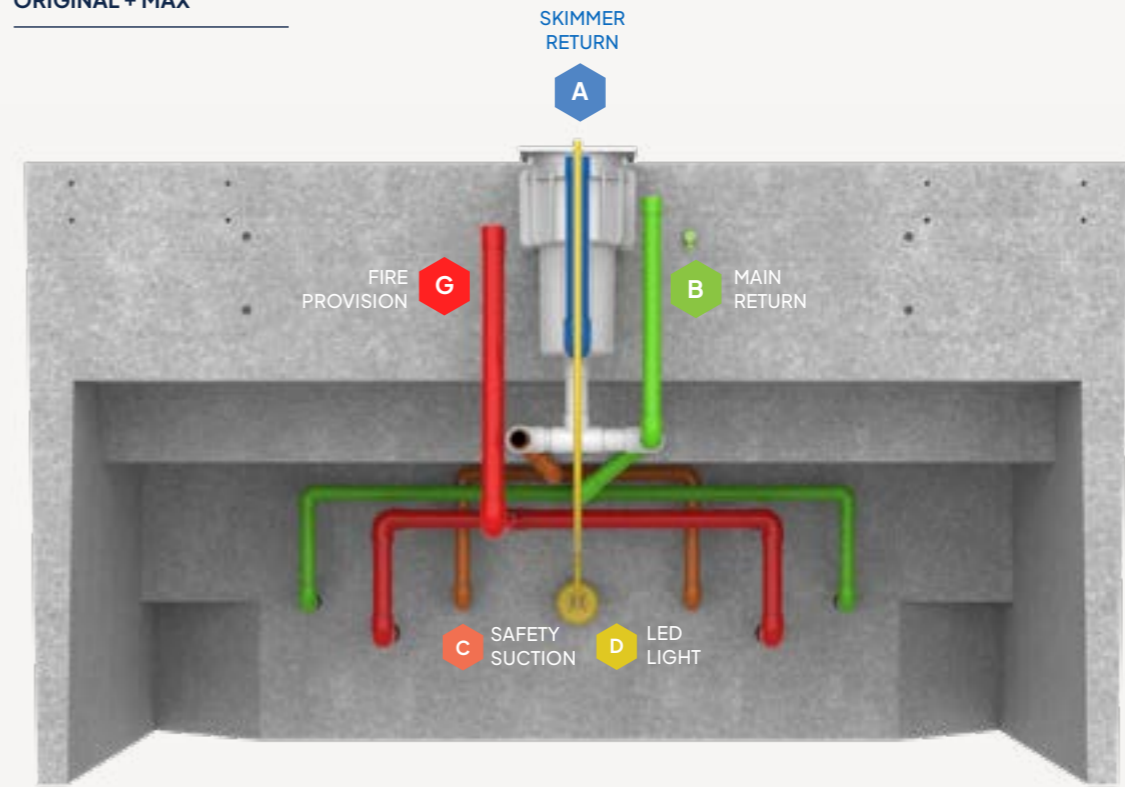
PLUMBING REQUIREMENTS

You can plumb the fire provision to wherever you like in your yard, so it won't impact your landscape design. Simply ensure that it can be easily accessed by firefighters, and install the applicable connection point for your state.

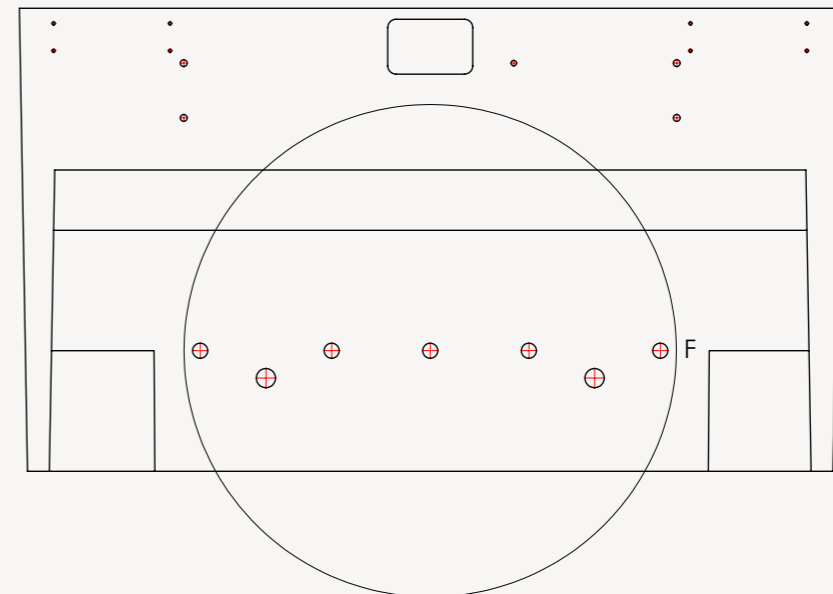
IS THE FIRE PROVISION COMPLIANT IN MY STATE?

Yes, our fire provision is appropriate for all Australian states and territories. Each state and territory has specific requirements for the valve that is attached to the fire provision – rather than the provision itself. Our fire provision provides the basic connections, which your plumber can commission the appropriate state-approved valve, so you can take advantage of this modification no matter where you're installing a Plungie.

ORIGINAL + MAX



ORIGINAL + MAX



Accessory Holder

WHAT IS AN ACCESSORY HOLDER?

A multi-function insert in the step of the pool that securely holds accessories with diameters ranging from 38–50mm in diameter. The insert sits flush with the step surface when not in use and has a removable cap and sleeve to reduce the diameter from 50 to 38mm.

CAN ACCESSORY HOLDERS BE ADDED TO ALL PLUNGIE MODELS?

The Accessory Holder can be added to all pools with x3 location options available on both the top step and 2nd step/beach step. Refer to the Accessory Holder drawings for approximate locations.

PLUMBING REQUIREMENTS:

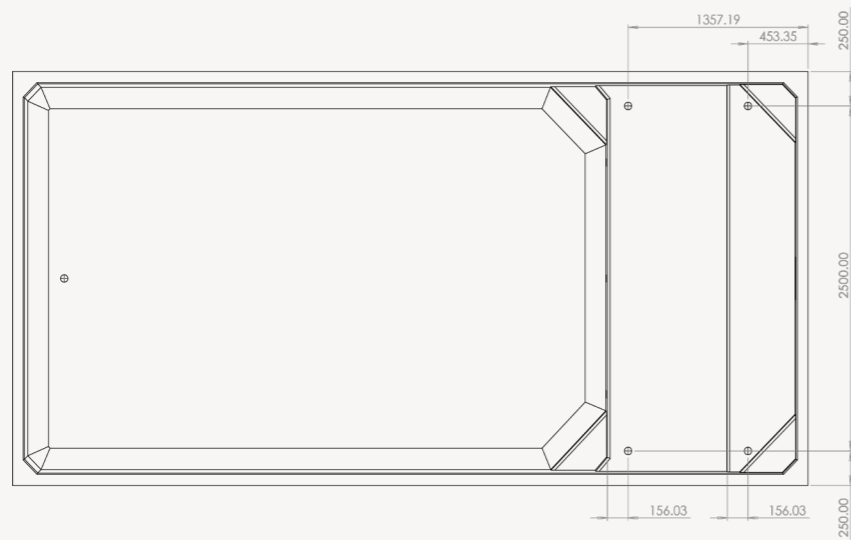
The Accessory Holder requires no additional plumbing.

!

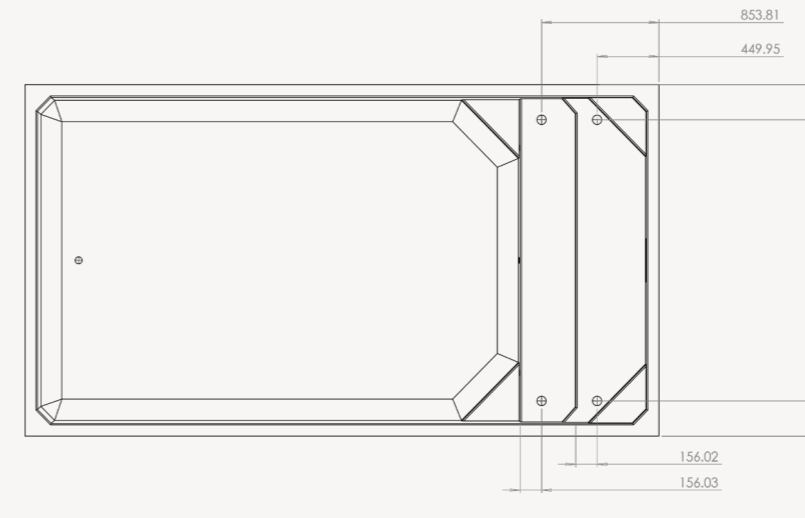
THINGS TO NOTE
 Care must be taken when inserting accessories into the holder. Accessories must be gently lowered into the holder without dropping. We recommend only using authorised Plungie accessories and not placing any foreign objects into the holders.

Accessory holders must be specified at time of order.

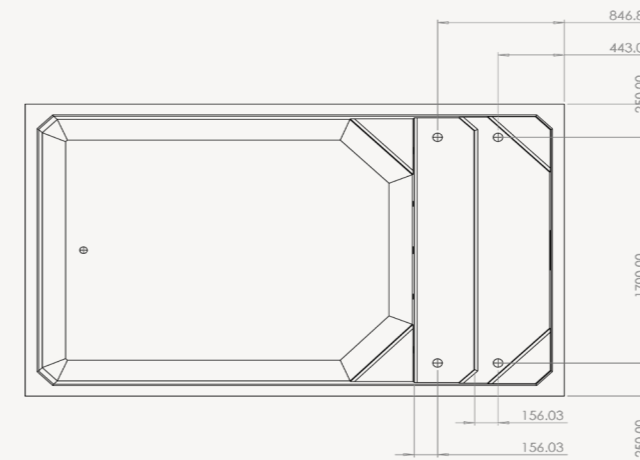
LOCATION OF ACCESSORY HOLDERS FOR PLUNGIE MAX



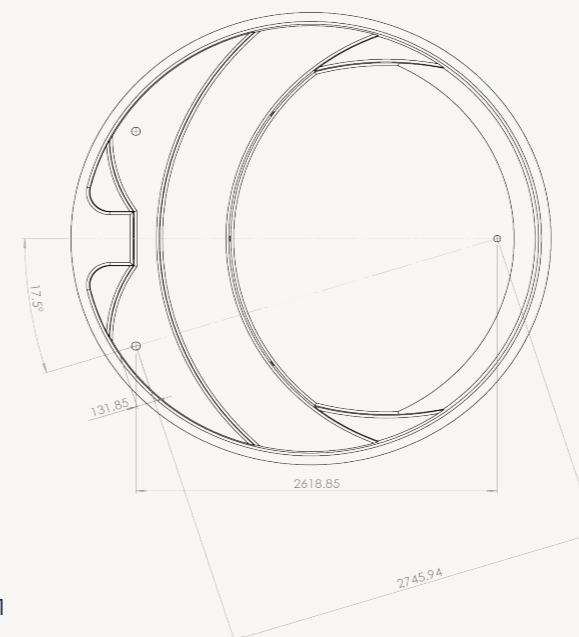
LOCATION OF ACCESSORY HOLDERS FOR PLUNGIE ORIGINAL



LOCATION OF ACCESSORY HOLDERS FOR PLUNGIE STUDIO



LOCATION OF ACCESSORY HOLDERS FOR PLUNGIE ARENA



Auto Top-Up

WHAT IS AN AUTO TOP-UP DEVICE?

The Auto Top-Up Device is a valve specifically designed to control the top up of water in pools automatically. The positive shut off feature functions in a 5–150psi/30–550kPa water pressure range with a flow rate of 80% of that supplied to the valve. The valve will shut off approximately 12mm from the bottom of the valve and has a 20mm BSP Nylon male connection.

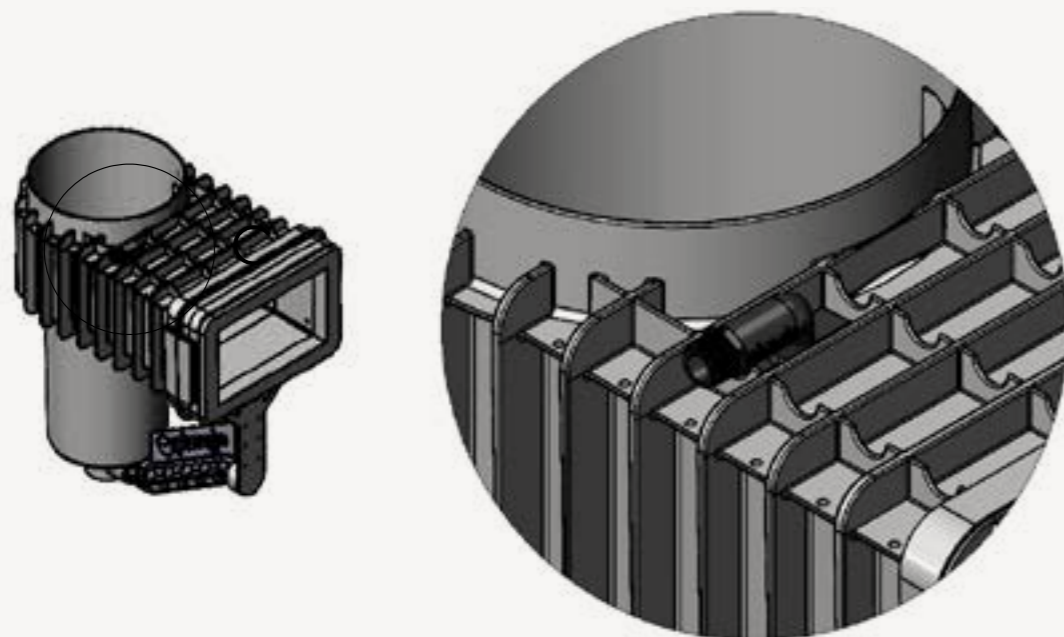
CAN AN AUTO TOP-UP DEVICE BE ADDED TO ALL PLUNGIE MODELS?

The Auto Top-Up Device can currently only be added to the Plungie Max, Plungie Original and the Plungie Studio.

PLUMBING REQUIREMENTS:

The Auto Top-Up Device has a 20mm Male BSP Nylon connection. We recommend using plumbing tape on all threaded connections and a licensed plumber if connecting to mains water.

AUTO TOP UP DEVICE



THINGS TO NOTE

The Auto Top-Up Device will be triggered by fluctuations in water levels. To minimise the Top-Up Device turning on during swimming a timer may be plumbed to only allow water flow to the device outside of normal swimming times.

Must be specified at time of order.

Equipment Guides

FILTRATION EQUIPMENT PACKAGES

BASE

Pump: [Single Speed Pump](#)

Filter: [Cartridge Filter 100](#)

Chlorinator: [Salt and Mineral Chlorinator](#)

ECO

Pump: [3 Speed Pump](#)

Filter: [Cartridge Filter 100](#)

Chlorinator: [Salt and Mineral Chlorinator](#)

SMART ECO

Pump: [Variable Speed Pump](#)

Filter: [Cartridge Filter 100](#)

Smart Chlorinator: [Smart Chlorinator](#)

HEAT PUMP PACKAGES

Heat Pump: [13KW, 16KW & 20KW](#)

SPA JET PACKAGES

MANUAL (IN-LINE SET UP)

Shell modification and fit out of 4 x eyeball fittings and Venturi Jets.

[3-way Manual Valve](#)

AUTOMATED (IN-LINE SET UP)

Shell modification and fit out of 4 x eyeball fittings and Venturi Jets.

[Spa Wifi Controller](#)

[Valve Actuator \(Motorised\)](#)

[3-way Manual Valve](#)

HENDEN (REECE) EQUIPMENT

For information related to Henden (Reece) equipment please refer to the Henden website directly:

www.hendenpools.com.au

EQUIPMENT WARRANTY LINKS

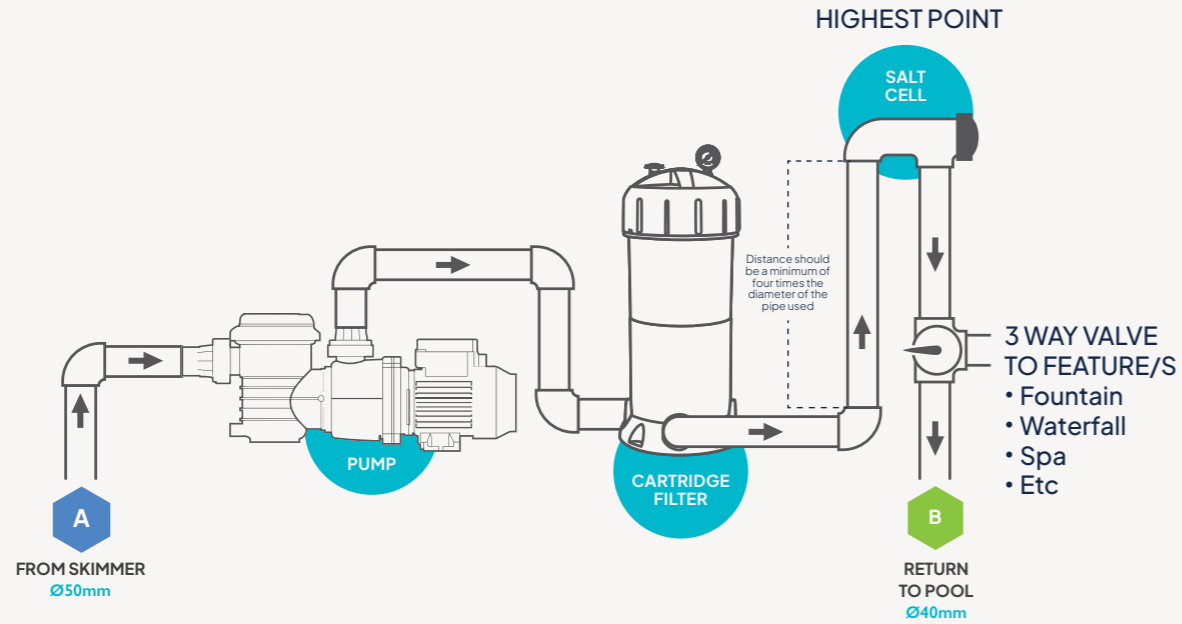
Depending on your brand of equipment, you will need to click on the correct link below and complete the warranty form on their own site.

[+ Henden \(Reece\)](#)

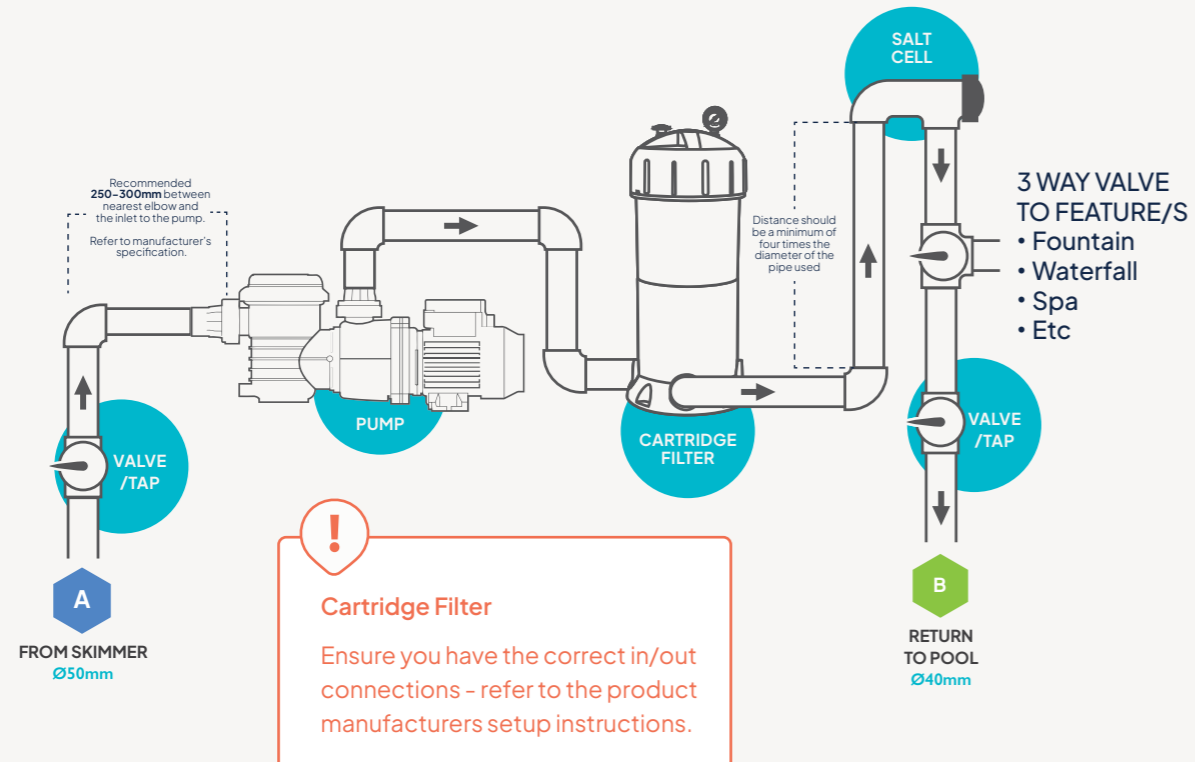
[+ Astral \(Poolwerx\)](#)

[+ Poolrite](#)

WHEN INSTALLED ABOVE WATER



WHEN INSTALLED BELOW WATER



Cartridge Filter
Ensure you have the correct in/out connections - refer to the product manufacturers setup instructions.

Things to note

- Salt cell is to be the highest point in the plumbing loop.
- A valve at the start and end of the plumbing loop is recommended when equipment is installed below pool water level.
- Pump size and settings (variable speed etc) do not alter equipment configuration.
- Cartridge filter can be substituted for media filter.
- The use of three-way valves and back flow devices can be added at the discretion of the plumber depending on owner usage requirements. Eg. Creating the ability to isolate heating and increase efficiencies

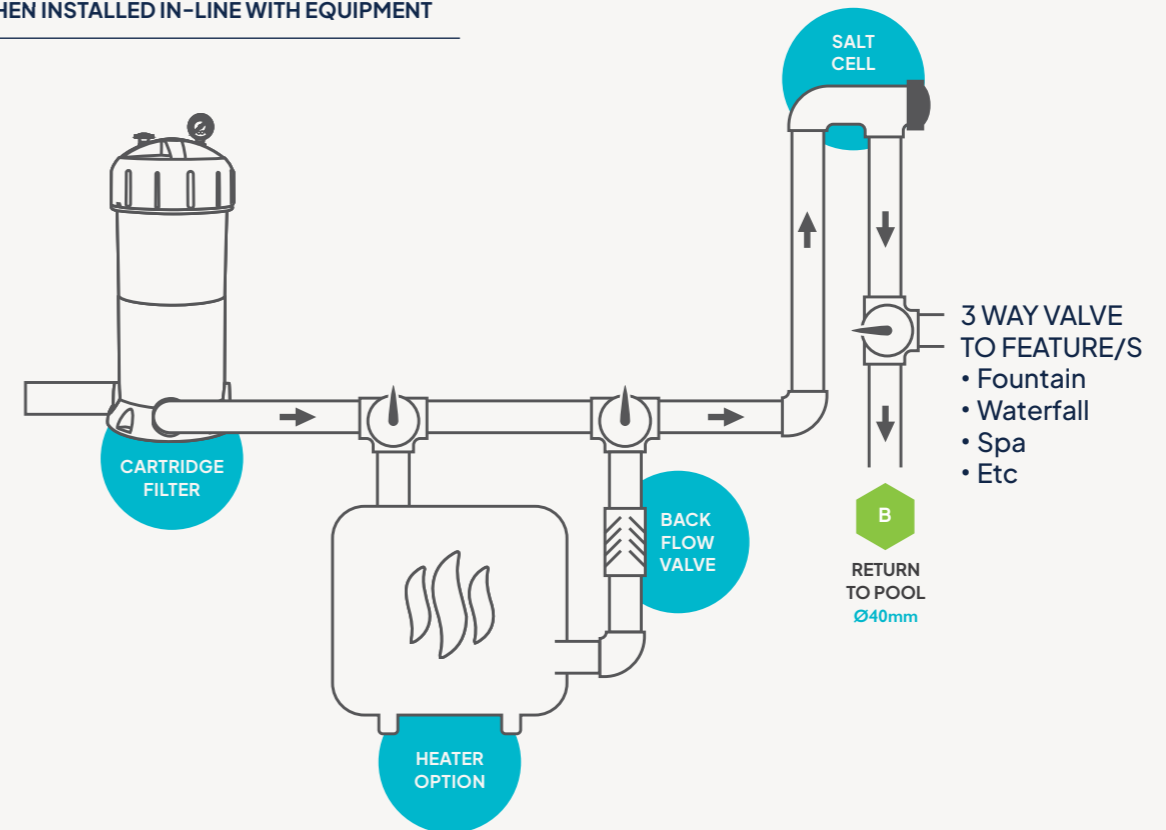


Refer to manufacturer instructions for specific installation requirements on equipment.



Cartridge Filter
Ensure you have the correct in/out connections - refer to the product manufacturers setup instructions.

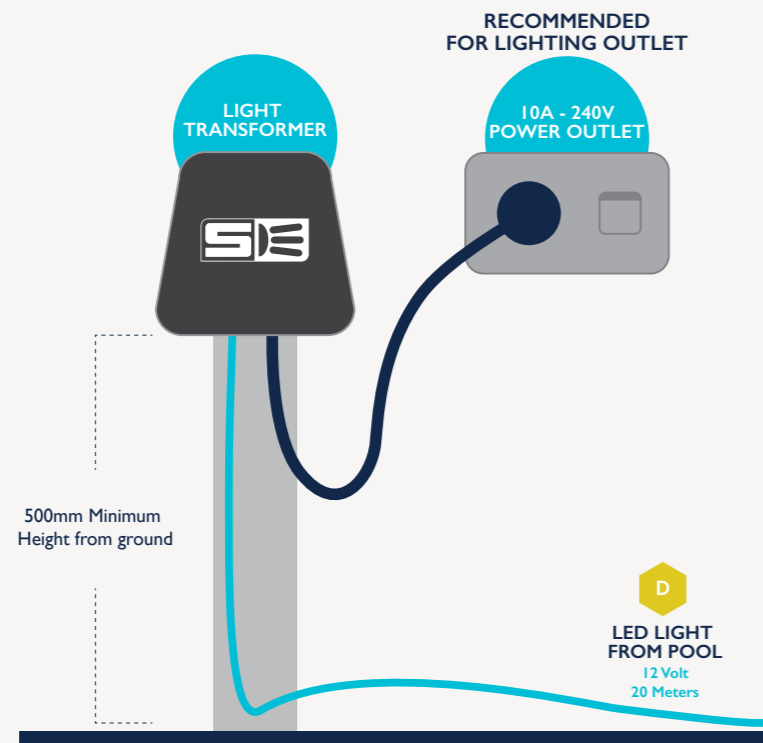
WHEN INSTALLED IN-LINE WITH EQUIPMENT



Things to note

- Transformer for LED Light supplied inside the skimmer box. Please check skimmer box for contents before filling pool for use.
- Conduit cable protection is required from pool to transformer installation point.
- The supplied transformer is suitable only for a single LED light.
- 10A Electrical outlet is advised for lighting only. Refer to manufacturer's guidelines for other electrical requirements (Eg Heaters, etc)

! Electrical work should be carried out by a licensed, trade qualified electrician.



TRANSFORMER:

Spa Electrics LV25-12 (Single LED transformer) Internal

LED LIGHT:

Spa Electrics Multi-Colour (GK Series or APG)

INSTALLATION:

Plungie will include one of two light options depending on when it was manufactured, to program them refer to the correct size and links below:

Spa Electrics Light AGP 132mm diameter

- Refer to this link for the owners manual and installation guide:
<https://www.spaelectrics.com.au/agp-guides>

Spa Electrics Light GK Series 250mm diameter

- To program the light [refer to this guide](#). Installation and further technical information available at www.spaelectrics.com.au

Things to note

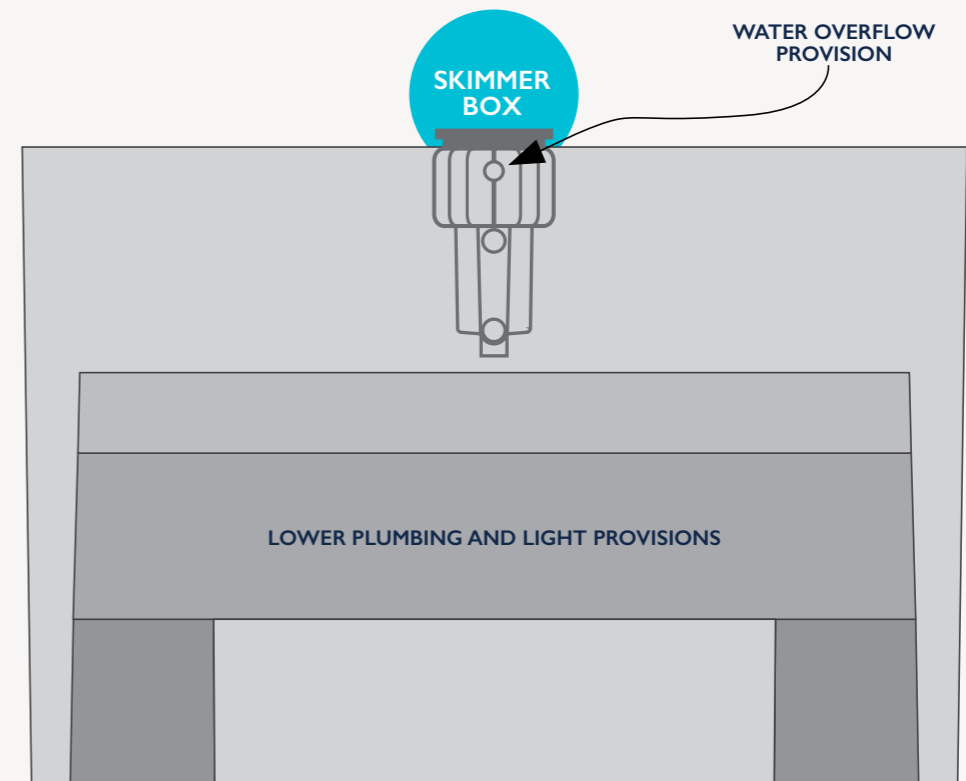
The water overflow provision allows for the pool to be plumbed and prevent spill over during rain etc. Work to do so should be undertaken by a licensed plumber.

- Drill a hole through the back edge of the skimmer box in the location shown
- Connect 25mm PVC piping and secure with a water tight bond (eg PVC Cement)
- Run plumbing to appropriate discharge location

! Rules relating to the discharging of pool water varies by local regulations (eg storm water, sewer, etc). Please check with your local requirements before undertaking work.

ARENA:

Access to the overflow provision is via a conduit provision in the outer concrete shell.





www.plungie.com
1300 PLUNGIE (758 644)