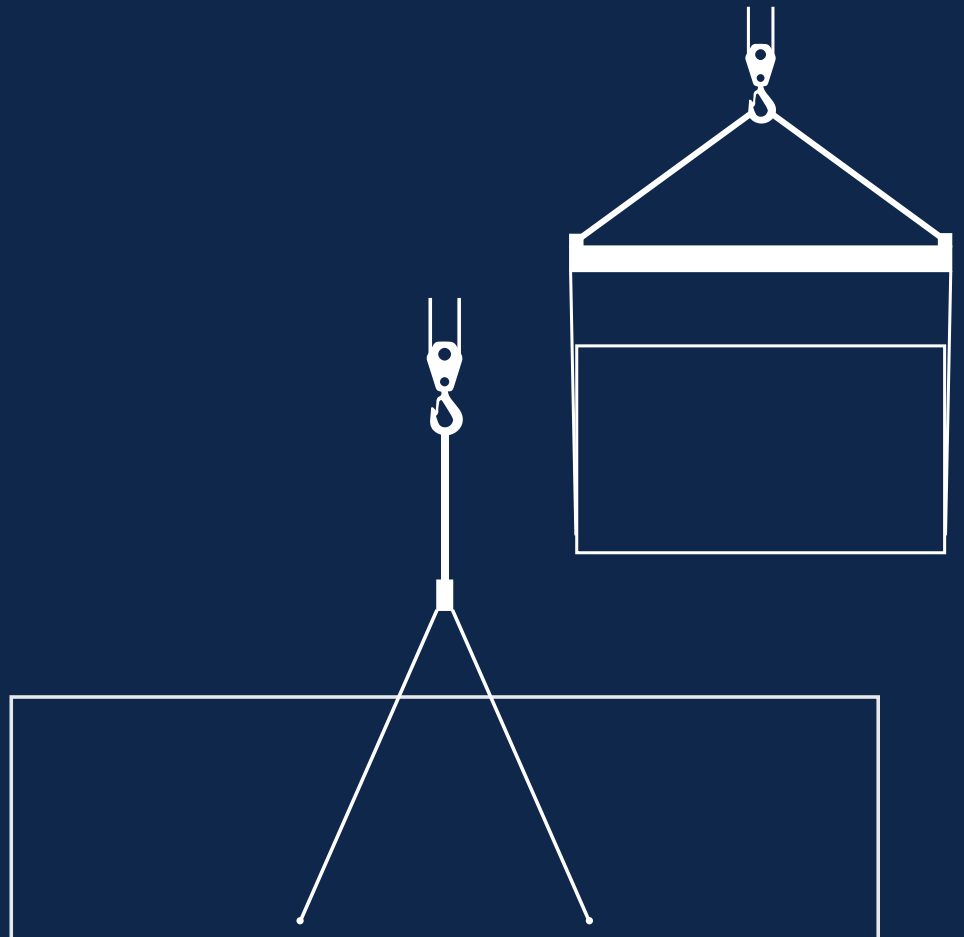




INSTALLATION GUIDE

# Lifting Diagram

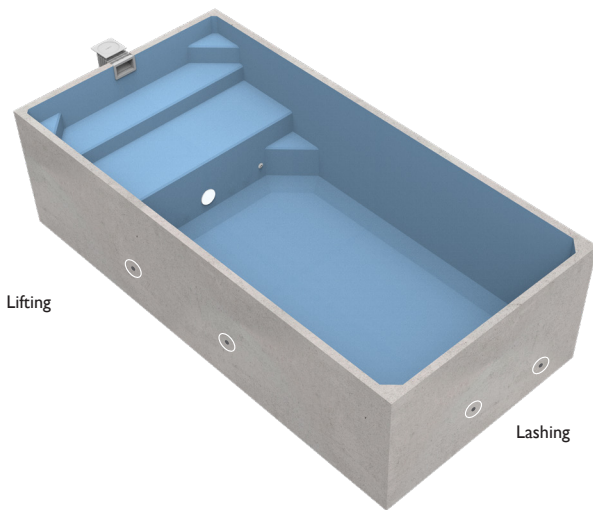
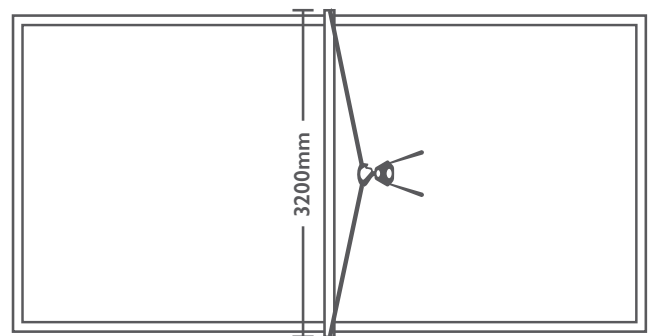
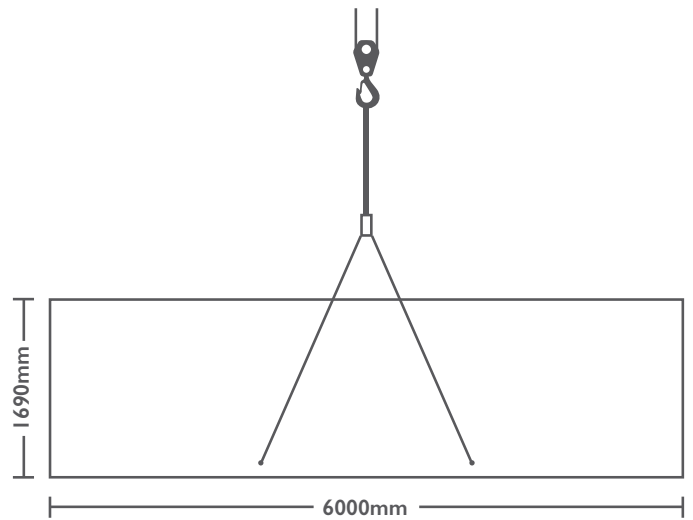
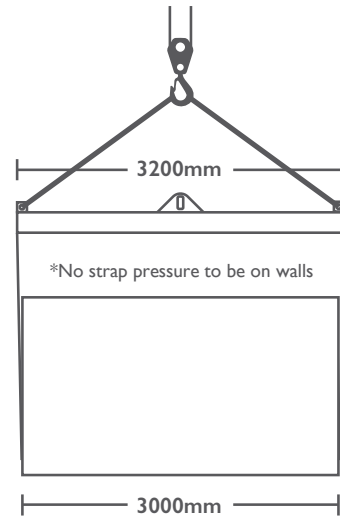
Plungie Max



# Lifting Diagram

## Plungie Max

Length	6000mm
Width	3000mm
Height	1690mm
Weight	11,800kg
Lift type	3.1m spreader bar with straps/chains
Lifting points	4 x m24 swivels provided (4.5 SWLL)
Tools required	36mm spanner or 14mm allen key



**Please note:** the tools required must be provided by the crane company. Upon arrival, move the swivels from the lashing position to the lifting position. Damage to the product may occur if not lifted correctly.