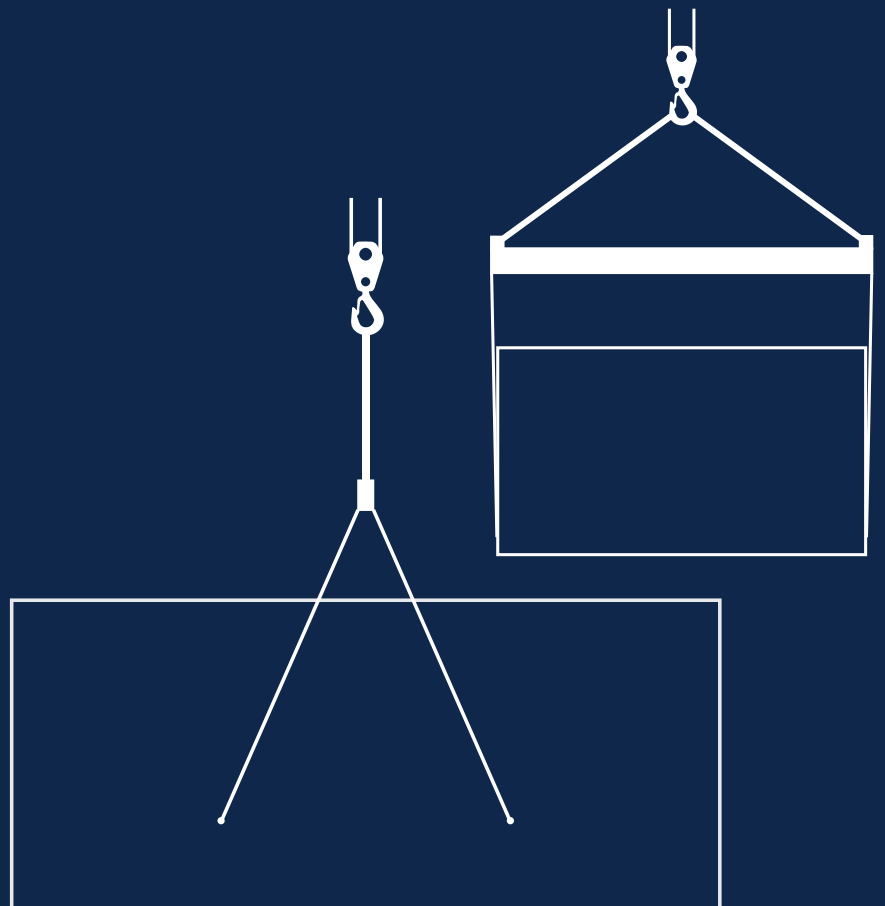




INSTALLATION GUIDE

Lifting Diagram

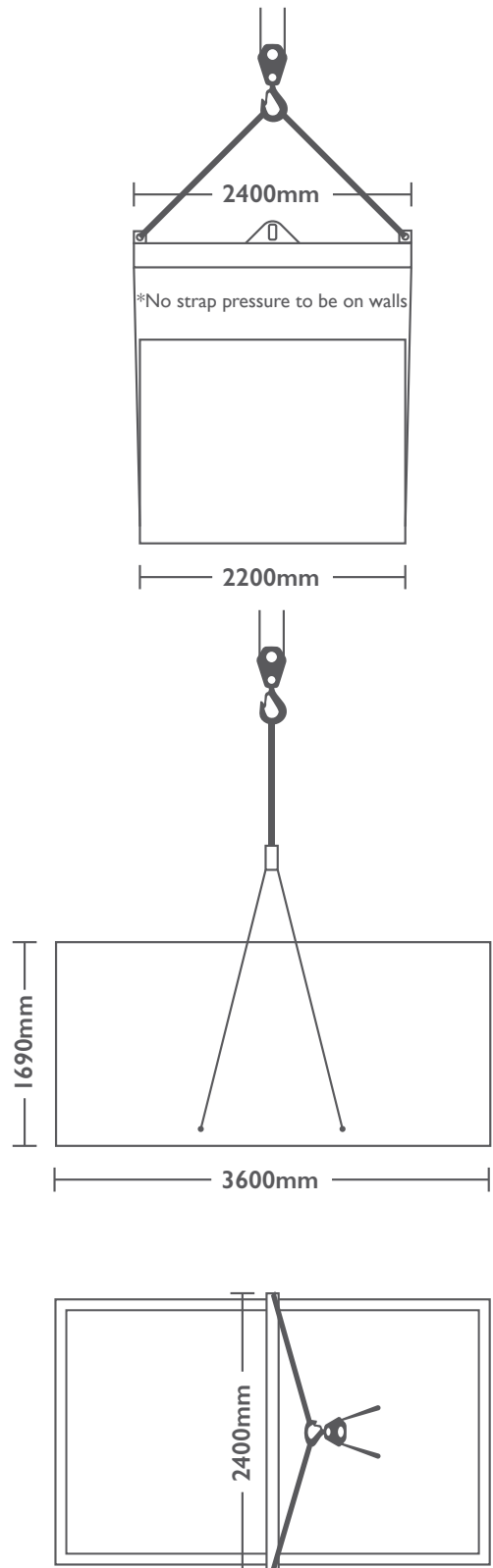
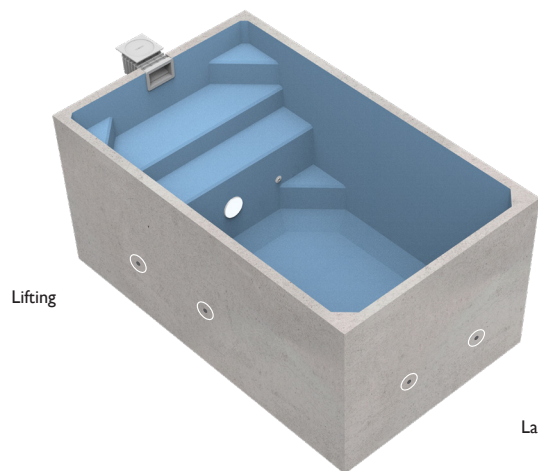
Plungie Studio



Lifting Diagram

Plungie Studio

Length	3600mm
Width	2200mm
Height	1690mm
Weight	6,800kg
Lift type	2.3m spreader bar with straps/chains
Lifting points	4 x m20 swivels provided (2.5 SWLL)
Tools required	30mm spanner or 12mm allen key



Please note: the tools required must be provided by the crane company. Upon arrival, move the swivels from the lashing position to the lifting position. Damage to the product may occur if not lifted correctly.