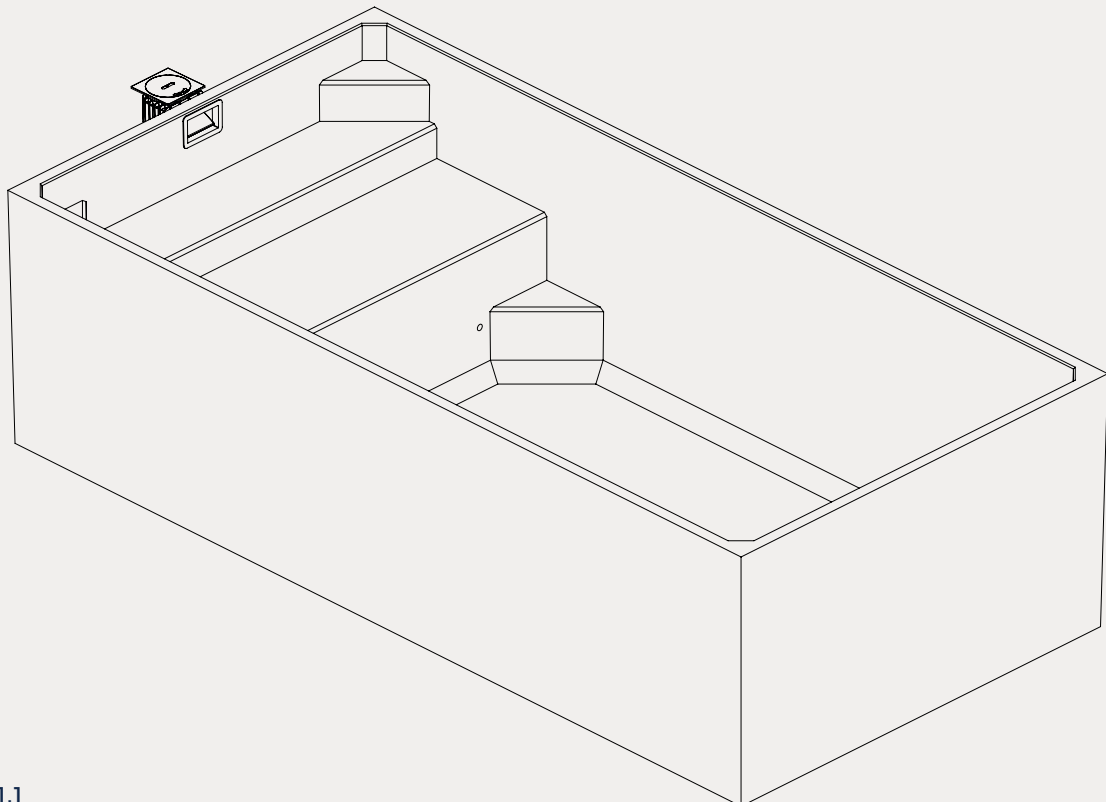


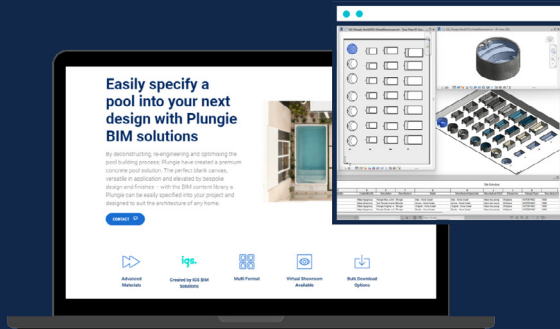
PLUNGIE SPECIFICATIONS

Plungie Max

Specifications + Dimensions



V 01.1

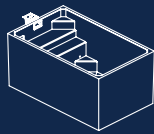


Download our BIM content library including Autocad, Revit and Archicad.

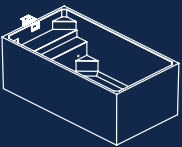
Plungie BIM solutions have been developed to industry best practices - enabling you to easily and efficiently plan, design and specify a pool into your next design.



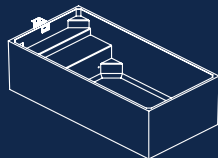
Plungie Arena
3.5m diameter



Plungie Studio
3.6m x 2.2m



Plungie Original
4.6m x 2.5m

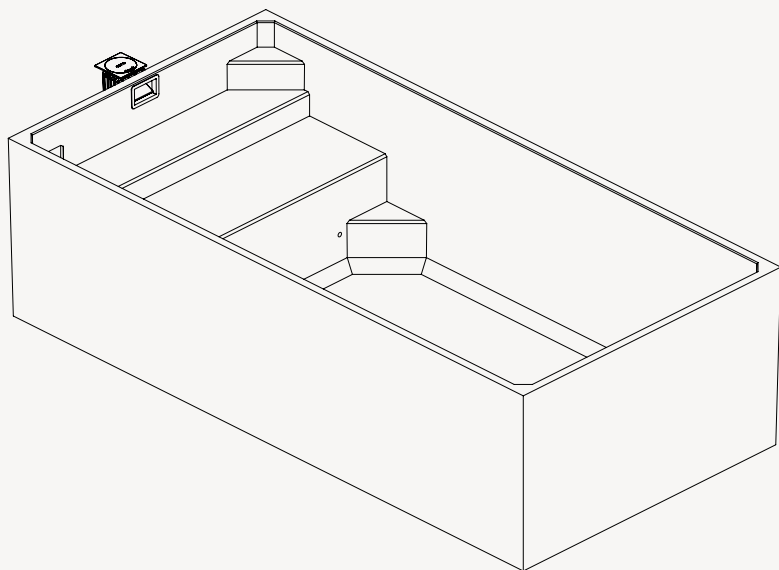


Plungie Max
6m x 3m

Whilst Plungie Pty Ltd has made every effort to ensure the accuracy and effectiveness of this information, we make no representation as to the accuracy or effectiveness of the information and take no responsibility for any loss, damage or injury which may be caused as a direct or indirect result of the use of this information.

Plungie Max

6m x 3m



Measuring a generous 6m x 3m, the Plungie Max is the world's largest monolithic precast concrete swimming pool.

Perfect for anyone seeking fun and relaxation poolside, the Plungie Max offers 4m² of bench space. As one of our bestselling, precast concrete pools, the Max can be installed in-ground, semi-recessed or above-ground to tie in seamlessly with the rest of your home.

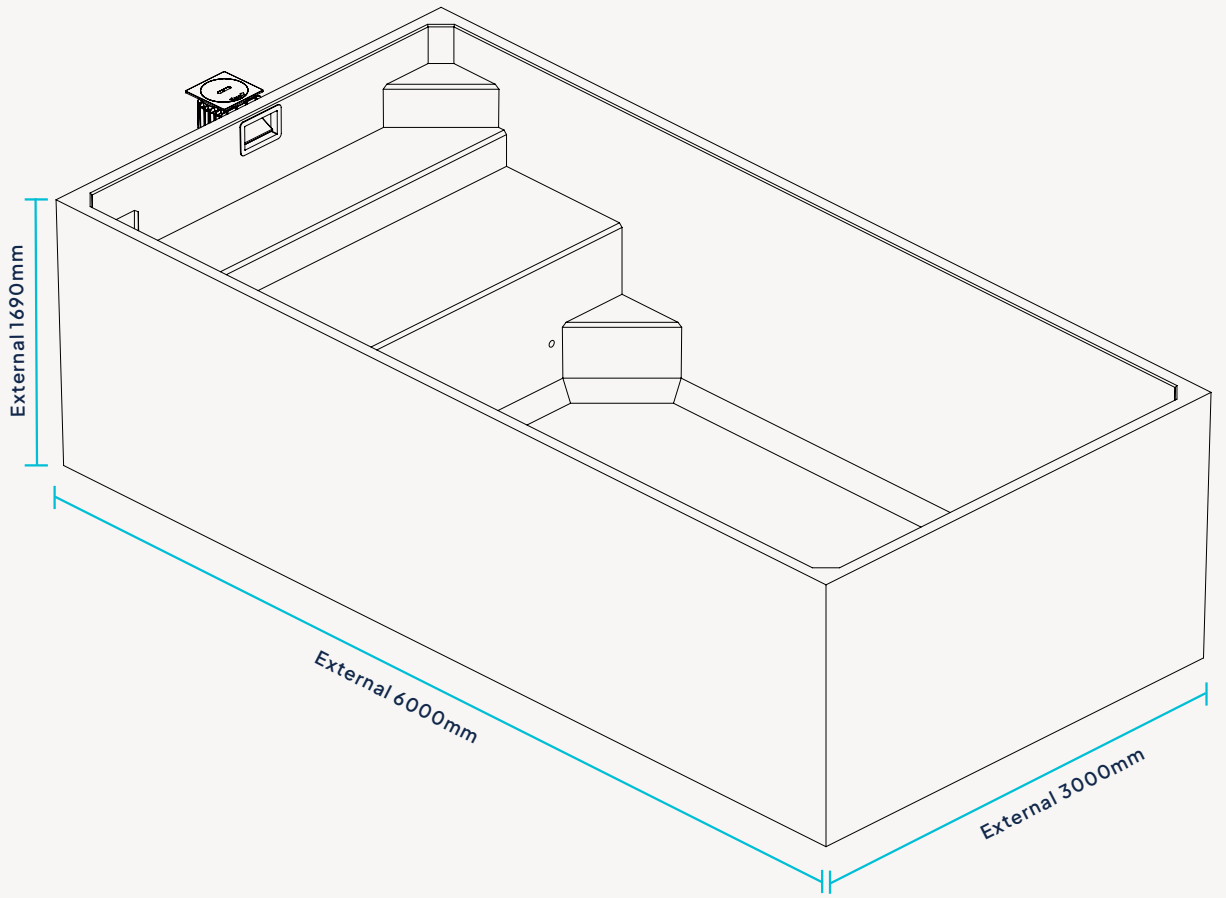
INCLUSIONS

- Highly engineered concrete pool shell
- High performance ecoFinish interior
- Spa electrics multi-coloured LED light
- Poolrite innoSkim skimmer box
- Pre-fitted hydrostatic valve
- Two (2) pre-plumbed returns
- 10 year structural warranty and internal ecoFinish warranty



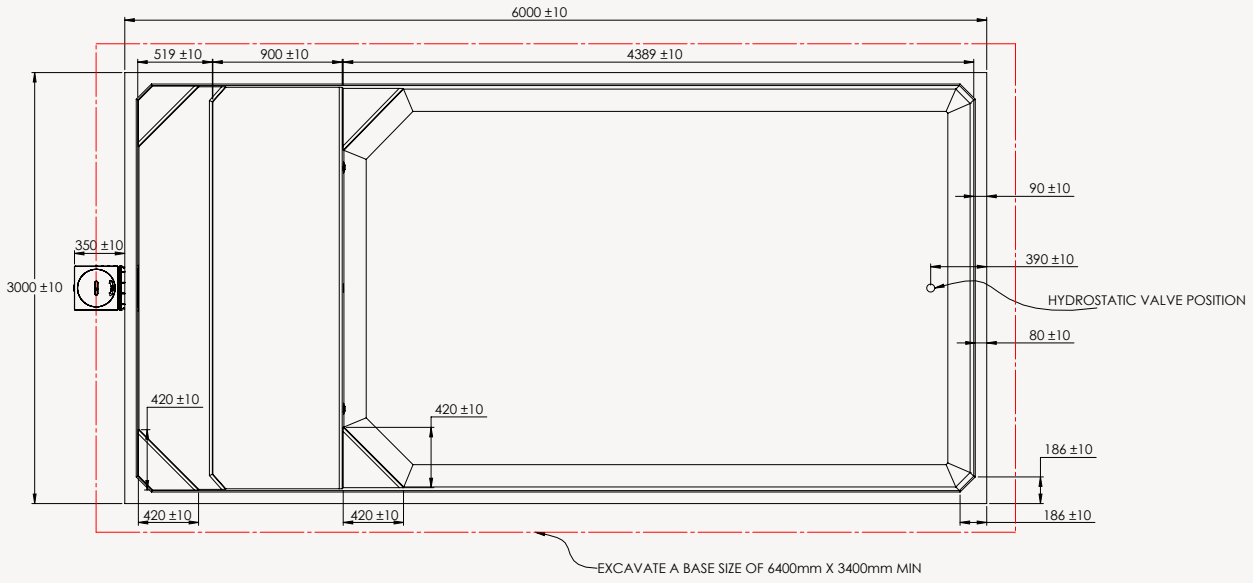
View the
Max online

Specifications Sheet Max

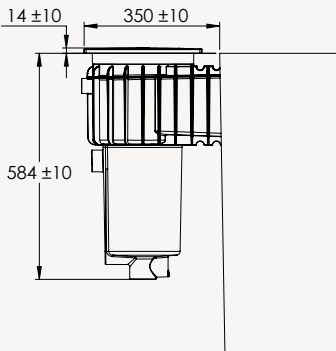


Length	External 6000mm	Internal 5820mm
Width	External 3000mm	Internal 2820mm
Height	External 1690mm	Internal 1590mm
Volume	20,100 L	
Dry Weight	11,600 Kg	
Wet Weight	31,700 Kg	
Bench Space	4m ²	

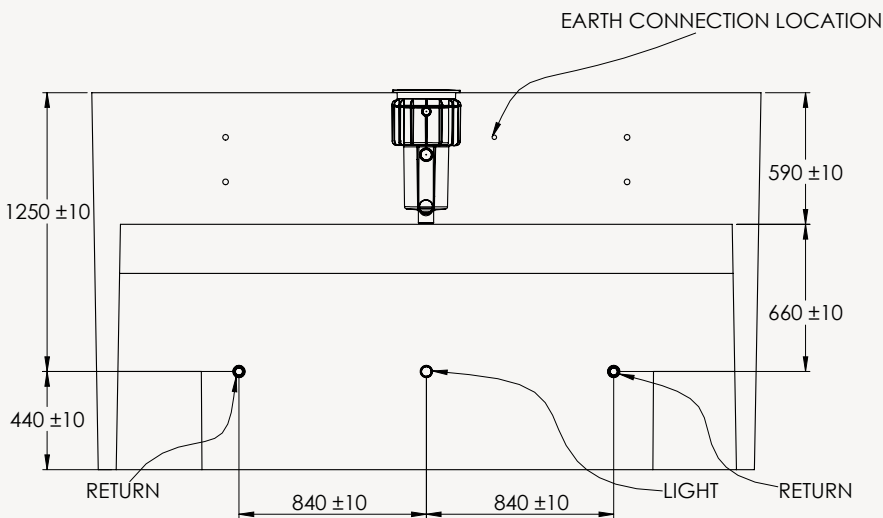
DIMENSIONS



SKIMMER BOX



SKIMMER / STEP END VIEW





www.plungie.com
1300 PLUNGIE (758 644)