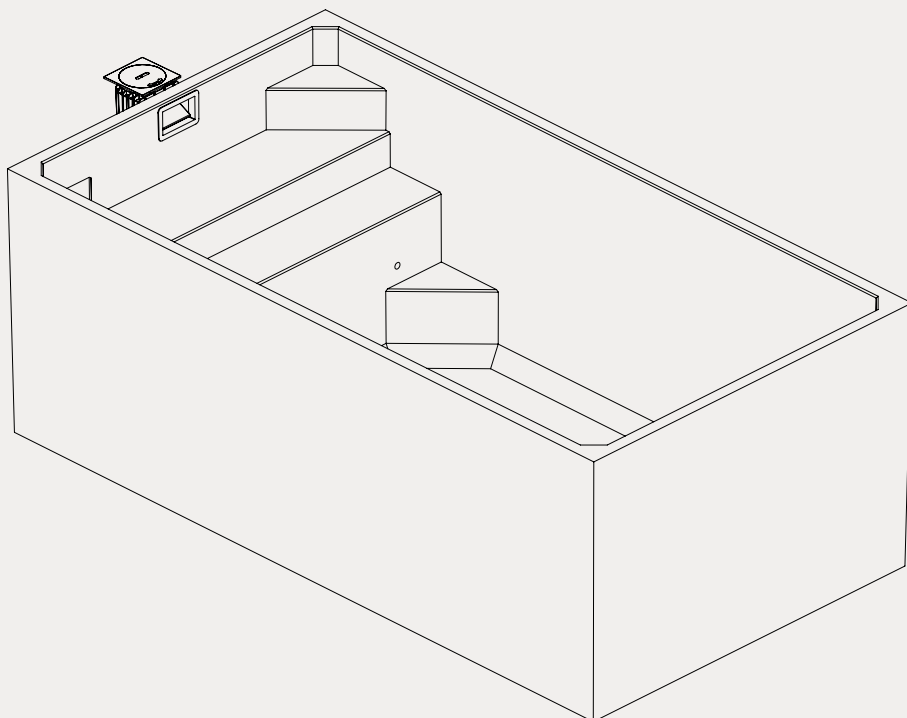


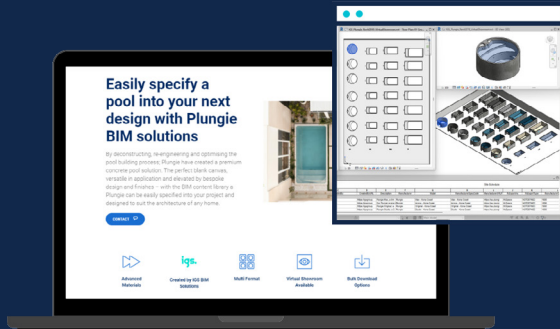
PLUNGIE SPECIFICATIONS

Plungie Original

Specifications + Dimensions



V 01.1

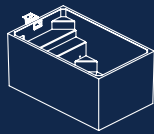


Download our BIM content library including Autocad, Revit and Archicad.

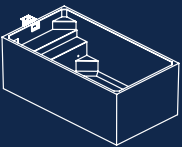
Plungie BIM solutions have been developed to industry best practices - enabling you to easily and efficiently plan, design and specify a pool into your next design.



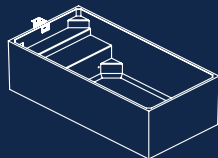
Plungie Arena
3.5m diameter



Plungie Studio
3.6m x 2.2m



Plungie Original
4.6m x 2.5m

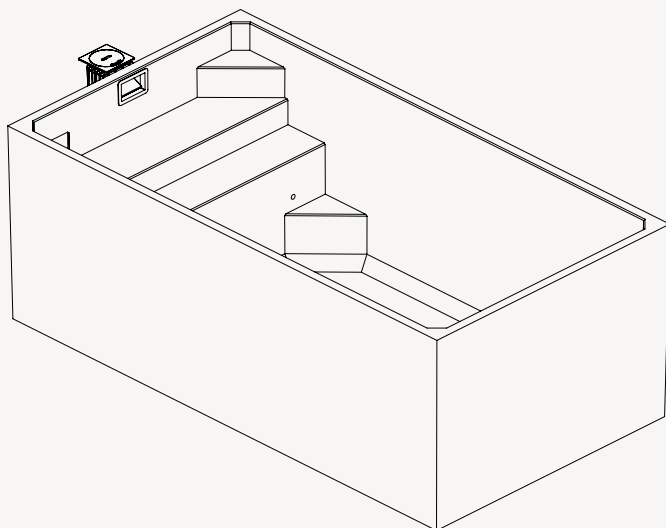


Plungie Max
6m x 3m

Whilst Plungie Pty Ltd has made every effort to ensure the accuracy and effectiveness of this information, we make no representation as to the accuracy or effectiveness of the information and take no responsibility for any loss, damage or injury which may be caused as a direct or indirect result of the use of this information.

Plungie Original

4.6m x 2.5m



The Plungie Original is our most popular pre-cast concrete pool and has found its way into the backyards of many Aussie homes.

Tried and tested, the Plungie Original adds instant appeal to your home, encouraging you and your family to spend more time outdoors and enjoy a warm, sunny day! With more than 2.2m of bench space and a generous 4.6m in length, the Plungie Original is nothing short of poolside perfection.

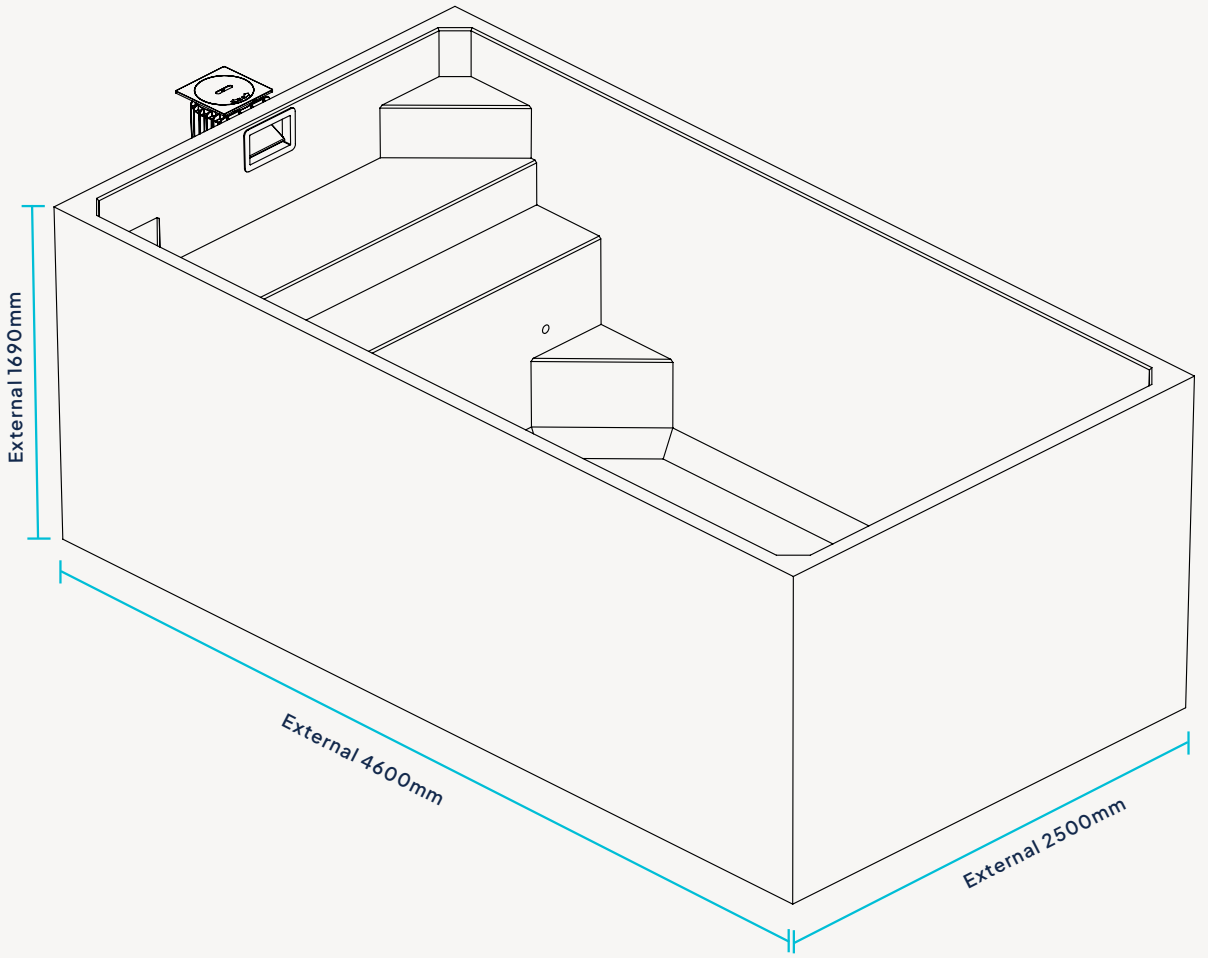
INCLUSIONS

- Highly engineered concrete pool shell
- High performance ecoFinish interior
- Spa electrics multi-coloured LED light
- Poolrite innoSkim skimmer box
- Pre-fitted hydrostatic valve
- Two (2) pre-plumbed returns
- 10 year structural warranty and internal ecoFinish warranty



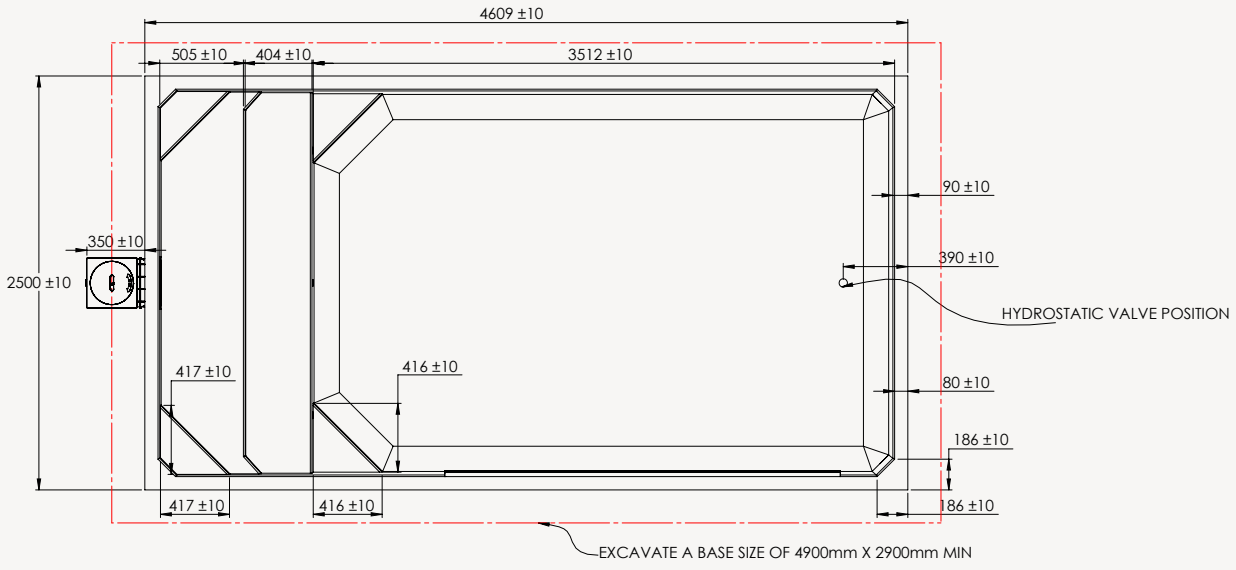
View the
Original online

Specifications Sheet Original

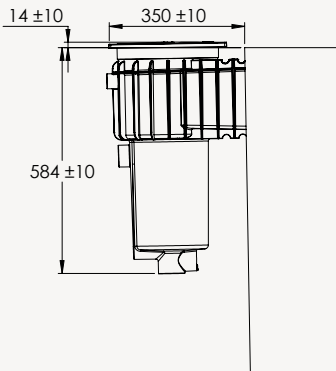


Length	External 4600 mm	Internal 4420mm
Width	External 2500mm	Internal 2320mm
Height	External 1690mm	Internal 1590mm
Volume	14,000 L	
Dry Weight	8,600 Kg	
Wet Weight	22,600 Kg	
Bench Space	2.2m ²	

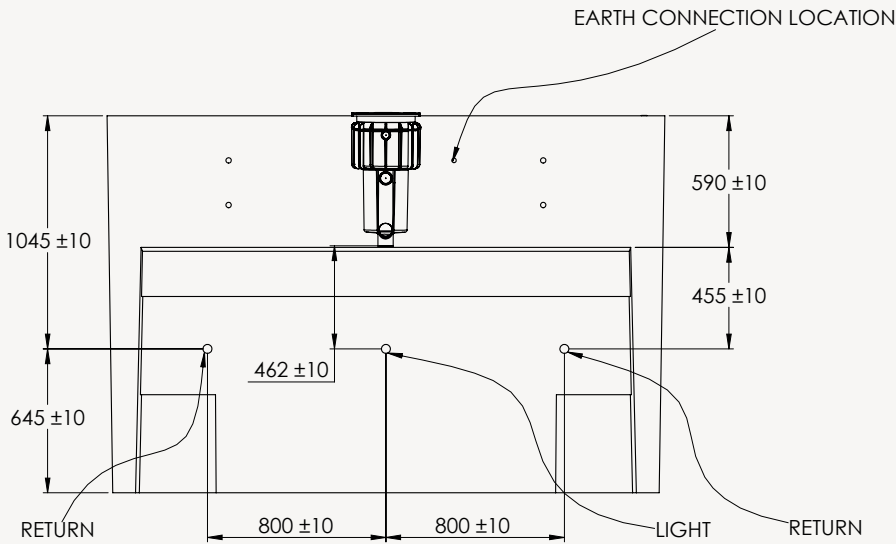
DIMENSIONS



SKIMMER BOX



SKIMMER / STEP END VIEW





www.plungie.com
1300 PLUNGIE (758 644)