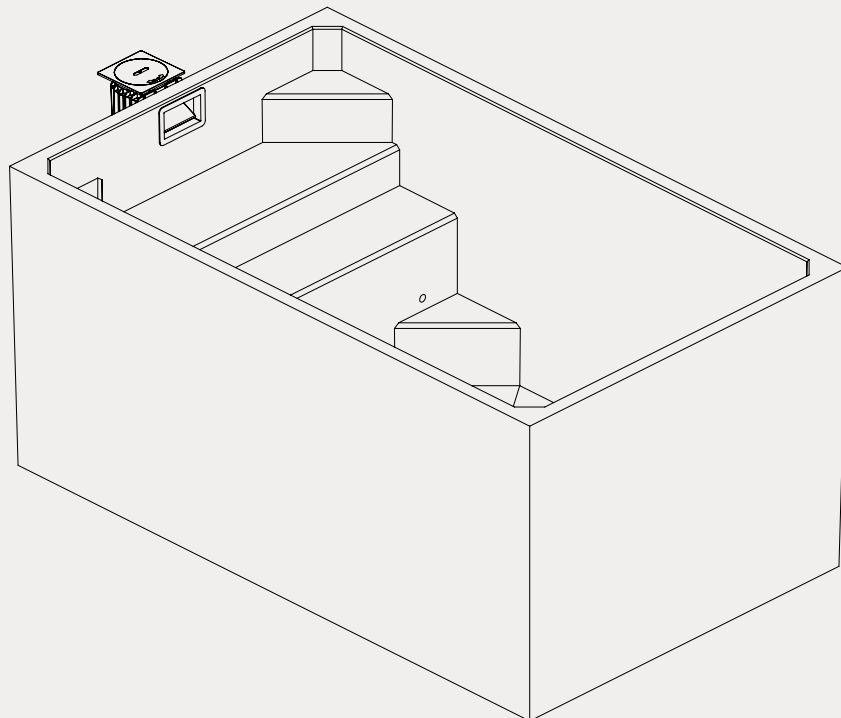
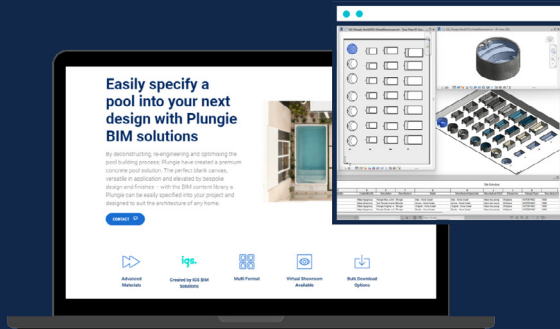


PLUNGIE SPECIFICATIONS

Plungie Studio

Specifications + Dimensions



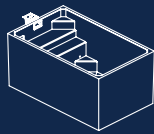


Download our BIM content library including Autocad, Revit and Archicad.

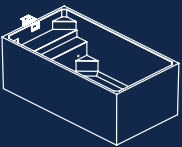
Plungie BIM solutions have been developed to industry best practices - enabling you to easily and efficiently plan, design and specify a pool into your next design.



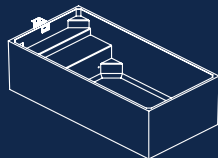
Plungie Arena
3.5m diameter



Plungie Studio
3.6m x 2.2m



Plungie Original
4.6m x 2.5m

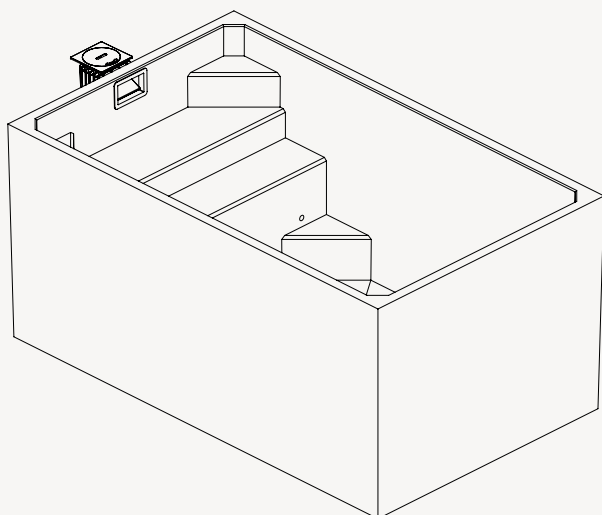


Plungie Max
6m x 3m

Whilst Plungie Pty Ltd has made every effort to ensure the accuracy and effectiveness of this information, we make no representation as to the accuracy or effectiveness of the information and take no responsibility for any loss, damage or injury which may be caused as a direct or indirect result of the use of this information.

Plungie Studio

3.6m x 2.2m



The sophisticated and sleek design of the Plungie Studio leaves nothing to wish for!

We've designed the Plungie Studio with smaller spaces in mind, making it an excellent choice for front yards and inner-city living. With two metres of bench space to lounge on, the Plungie Studio will become your new favourite spot to enjoy a sunny day!

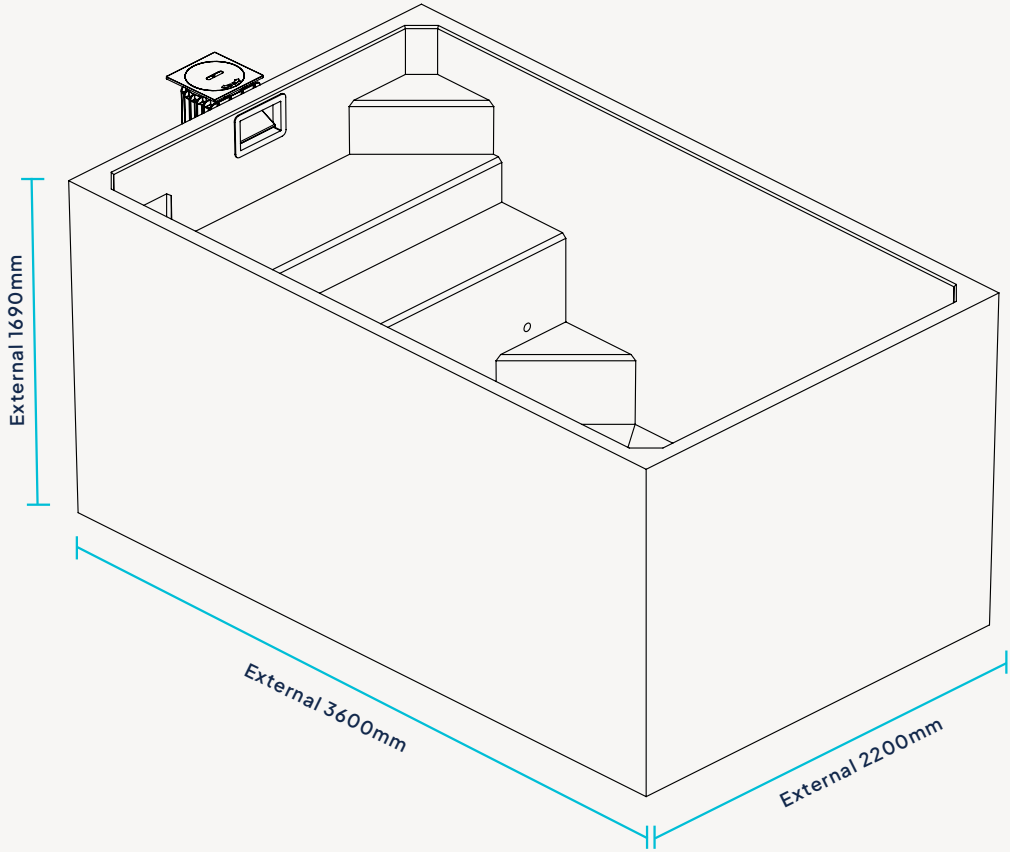


**View the
Studio online**

INCLUSIONS

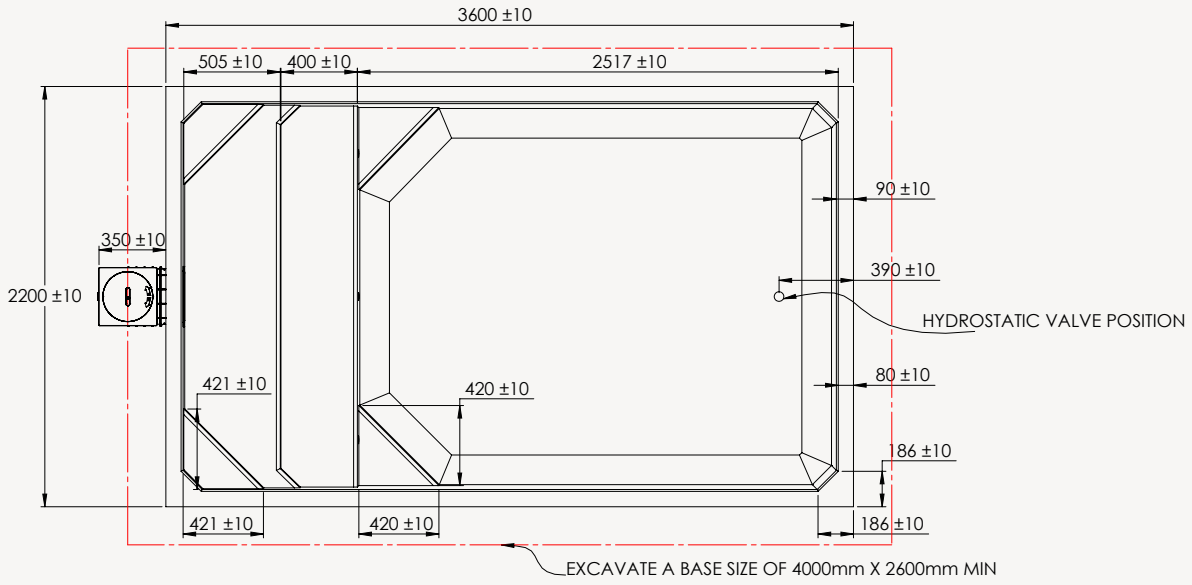
- Highly engineered concrete pool shell
- High performance ecoFinish interior
- Spa electrics multi-coloured LED light
- Poolrite innoSkim skimmer box
- Pre-fitted hydrostatic valve
- Two (2) pre-plumbed returns
- 10 year structural warranty and internal ecoFinish warranty

Specifications Sheet Studio

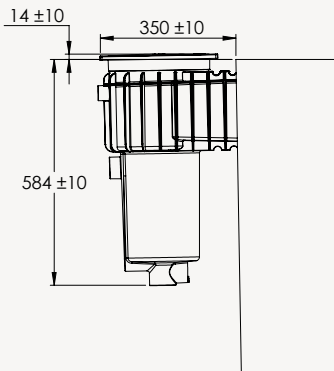


Length	External 3600mm	Internal 3420mm
Width	External 2200mm	Internal 2020mm
Height	External 1690mm	Internal 1590mm
Volume	8,000 L	
Dry Weight	6,800 Kg	
Wet Weight	14,800 Kg	
Bench Space	2m ²	

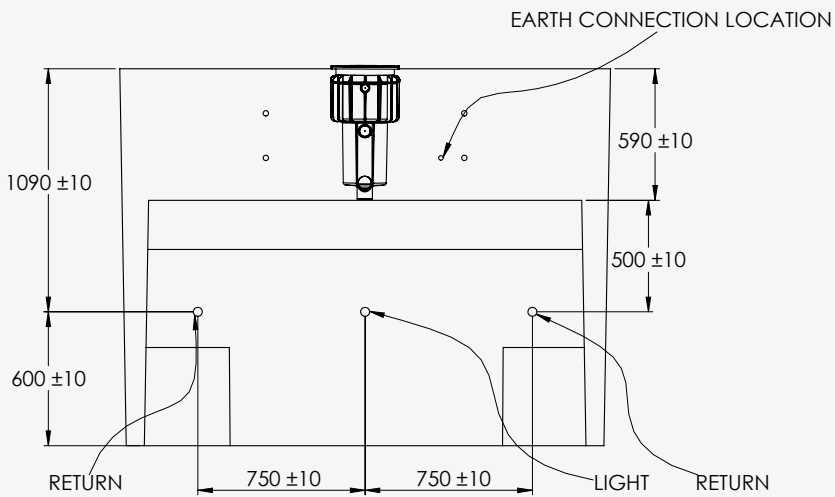
DIMENSIONS



SKIMMER BOX



SKIMMER / STEP END VIEW





www.plungie.com
1300 PLUNGIE (758 644)