



AOP & UV Equipment Package

Hayward MaxFlo 500
Hayward Cartridge C150S
Hayward Chlorinator CL200
Hydrapure (AOP Ozone & UV)
Magic Corrosion Check Valve
Three way valve
OmniHub



MaxFlo® VS 500

Variable-Speed Pump

DURABLE DESIGN, SUPERIOR SAVINGS



EXPERT LINE®



ONLY FROM POOL PROS



3+ YEAR PARTS & LABOR WARRANTIES*

*When sold by a Totally Hayward® Partner. Exclusions, other terms and conditions may apply — visit hayward.com/expert for details.

Intuitive control pad can be rotated in four directions on the pump or removed and wall mounted



EXPERT LINE[®]
ONLY FROM POOL PROS

See-through strainer cover lets you see when the basket needs cleaning

1 1/2" x 2" union connections allow for seamless installation in any application

Advanced hydraulic design offers increased efficiency and incredibly quiet operation, especially at lower speeds

Upgraded dual-voltage motor drive delivers 30% quieter high-speed operation than other models



UNRIVALED RELIABILITY

A chemical-resistant Viton[®] seal and a 3-year warranty mean MaxFlo VS 500 will provide years of powerful performance.

ENERGY-EFFICIENT DESIGN

With a super-efficient permanent magnet totally enclosed fan-cooled motor, MaxFlo VS 500 provides up to 80% energy savings over single-speed pumps and pays for itself faster than larger, more expensive models. Its ENERGY STAR[®] rating means local energy rebates may apply, too.

UNIVERSAL COMPATIBILITY

Built with dual-voltage capability, MaxFlo VS 500 is an easy, drop-in upgrade that can operate in standalone mode or connect to any automation system, either directly or with relays.

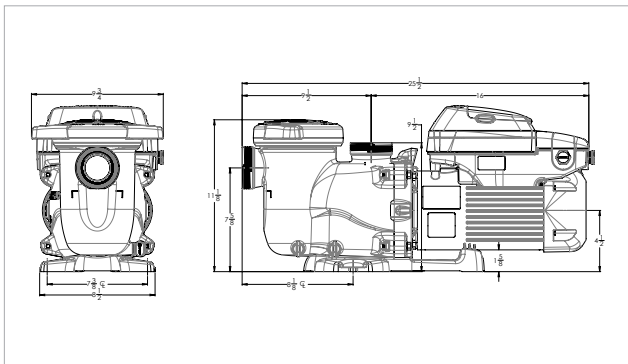


SPECIFICATIONS

MODEL NUMBER	TOTAL HP	VOLTAGE	WEIGHTED ENERGY FACTOR (WEF)*	UNION CONNECTIONS	WARRANTY
SP23520VSP	1.65	115/230V	10.7/10.2	1.5" X 2"	3 years**

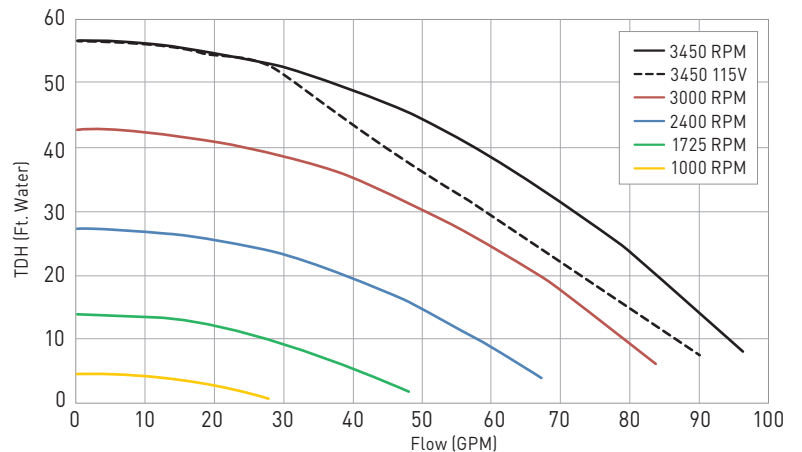
*The higher the weighted energy factor (WEF), the more efficient the pump. Visit hayward.com/regulations for more information.

MAXFLO VS 500 DIMENSIONS (INCHES)



MaxFlo VS 500 pumps are listed by:

MAXFLO VS 500 PERFORMANCE COMPARISON



**When sold by a Totally Hayward[®] partner. Exclusions, other terms and conditions may apply — visit hayward.com/expert for details.

» hayward.com » 1-888-HAYWARD

Pumps » Filters » Heaters » Sanitization » Automation » Lighting » Water Features » Cleaners » Safety

Hayward, Hayward & Design, the H logo, Expert Line, MaxFlo, Totally Hayward and We Build Better. are registered trademarks of Hayward Industries, Inc. ENERGY STAR is a registered mark owned by the U.S. government. All other trademarks not owned by Hayward are the property of their respective owners. Hayward is not in any way affiliated with or endorsed by those third parties.
© 2023 Hayward Industries, Inc.

LITTMFVS50023





SwimClear™

»»» Single-Element Cartridge Filter

LOWEST IN HEAD LOSS, HIGHEST
IN EFFICIENCY





INCOMPARABLE EFFICIENCY

SwimClear™ filters are simply the most efficient single-element cartridge filters ever produced. Designed for greater hydraulic efficiency, they boast the industry's lowest head loss—saving pool owners more energy and money.



QUICK & EASY MAINTENANCE

A recessed pressure gauge and manual air relief allow for easy access to SwimClear's head assembly while also sealing the filter against contamination. And with the lowest body height on the market, cleaning and changing filter cartridges is easier than ever.



SIMPLE INSTALLATION

With 2" x 2½" union connections, SwimClear is quick and easy to retrofit in virtually any application. An Easy-Lok™ ring design and ergonomic handles offer confident filter handling while preventing contact with fiberglass-based surfaces.

SWIMCLEAR CARTRIDGE FILTERS

Filter Type	Cartridge element: 100 ft² 150 ft² 200 ft² (9.29 m² 13.94 m² 18.58 m²)
Filter Tank	High-strength, injection-molded, glass-reinforced copolymer
Filter Element	Reinforced polyester
Performance Range	100 to 120 GPM, 379 to 455 LPM
Dimensions	C100S: 30½" H x 18¼ W" (775 mm x 464 mm)*
	C150S: 33¾" H x 18¼ W" (857 mm x 464 mm)*
	C200S: 38¾" H x 18¼ W" (984 mm x 464 mm)*

FILTER PERFORMANCE DATA

MODEL NUMBER		EFFECTIVE FILTRATION AREA	DESIGN FLOW RATE**	TURNOVER	
				8 HOURS	10 HOURS
Residential	C100S	100 ft² / 9.29 m²	100 GPM / 379 LPM	48,000 gal / 182 kl	60,000 gal / 227 kl
	C150S	150 ft² / 13.94 m²	120 GPM / 455 LPM	57,600 gal / 218 kl	72,000 gal / 273 kl
	C200S	200 ft² / 18.58 m²	120 GPM / 455 LPM	57,600 gal / 218 kl	72,000 gal / 273 kl
Public	C100S	100 ft² / 9.29 m²	38 GPM / 142 LPM	18,240 gal / 68 kl	22,800 gal / 85 kl
	C150S	150 ft² / 13.94 m²	56 GPM / 213 LPM	26,880 gal / 102 kl	33,600 gal / 128 kl
	C200S	200 ft² / 18.58 m²	75 GPM / 284 LPM	36,000 gal / 136 kl	45,000 gal / 170 kl

*Based on lock ring—width at base is 13" (330mm).

**Determined by pump size and piping system hydraulics; 2" piping is recommended for flow rates of 90 GPM (341 LPM); Residential Design Flow rates based on 1 GPM/ft²; Public Design Flow rates based on 0.375 GPM/ft² (15.26 LPM/m²)

» hayward.com » 1-888-HAYWARD

SwimClear Filters are listed by:



Pumps » Filters » Heating » Cleaners » Sanitization » Automation » Lighting » Water Effects » White Goods



Chemical Feeders

»»» Automatic Chlorinators
and Brominators

EASY, ECONOMICAL
SANITIZATION FOR ANY POOL



HAYWARD® AUTOMATIC CHEMICAL FEEDER FEATURES

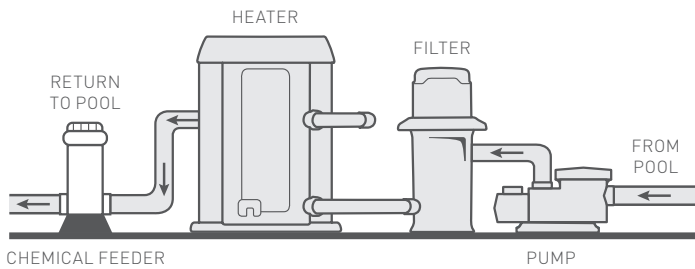
- » **Available for chlorine or bromine sanitization** using large or small slow-dissolving tablets
- » **9- and 4.2-lb chemical capacities** fit in-ground and above-ground pools and spas of all sizes
- » **Multiple in-line and off-line configurations** allow for simple installation in new construction, aftermarket and replacement applications
- » **Large dial control valve** allows for easy feed rate adjustment
- » **EasyLok™ threaded cover** provides safe and convenient access to tablets
- » **Chemical-resistant Viton® seal** and corrosion-resistant components provide heavy-duty durability

PERFORMANCE DATA

MODEL NUMBER	PIPE SIZE	CHEMICAL CAPACITY	FEEDER WIDTH	FEEDER HEIGHT
IN-LINE CHLORINATORS				
CL100	1½" FIP	4.2 lbs.	8¼"	15¼"
CL200*	1½" FIP	9 lbs.	9"	14¾"
CL2002S**	2" SKT	9 lbs.	9"	14¾"
OFF-LINE CHLORINATORS				
CL110	—	4.2 lbs.	6¾"	13"
CL220	—	9 lbs.	8¼"	15½"
OFF-LINE CHLORINATORS FOR ABOVE-GROUND POOLS***				
CL110ABG	—	4.2 lbs.	6¾"	13"
CL220ABG	—	9 lbs.	8¼"	15½"
OFF-LINE BROMINATORS				
CL220BR	—	9 lbs.	8¼"	15½"
ACCESSORIES				
SP1500UNMPAK1	Flush union connector with 1½" male nipple. For mounting in-line chlorine feeders.			
SP1500UNPAK2	Set of two flush union connectors. Fits CL100 and CL200 chlorinators inlet and outlet.			

IN-LINE AND OFF-LINE CONFIGURATIONS

To accommodate most capacity, plumbing and space considerations

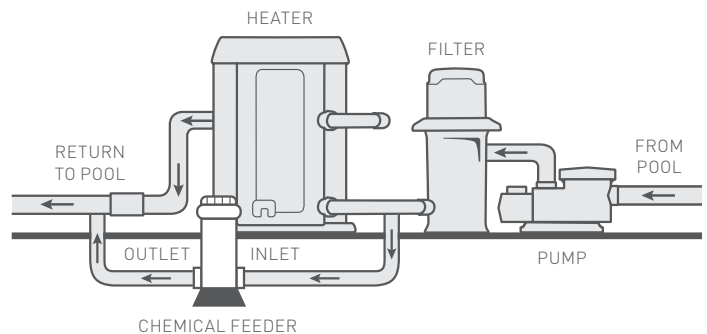


SP1500UNPAK2

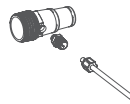


IN-LINE INSTALLATION FOR CL100, CL200 AND CL2002S IN-LINE FEEDERS

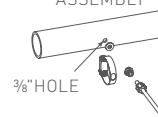
Use 1-1/2" FIP ports to connect to filter system plumbing



UNIVERSAL ADAPTER KIT (ABOVE GROUND)



SADDLE CLAMP ASSEMBLY



OFF-LINE INSTALLATION FOR CL110 AND CL220 OFF-LINE FEEDERS

Install next to filtration equipment and operate on system pressure differential

*Includes mounting base.

**Features 2" inlet and outlet ports for applications with 50 GPM to 90 GPM flow rates.

***Packaged with a universal adapter kit for all Hayward above-ground filter systems—Perflex®, sand or cartridge.

» hayward.com » 1-888-HAYWARD

Pumps » Filters » Heating » Cleaners » Sanitization » Automation » Lighting » Water Features » White Goods

Hayward and Perflex are registered trademarks and EasyLok is a trademark of Hayward Industries, Inc. © 2017 Hayward Industries, Inc. All other trademarks not owned by Hayward are the property of their respective owners. Hayward is not in any way affiliated with or endorsed by those third parties.

LITCHEM17





HydraPure™

»»» Advanced Oxidation
Sanitization System

THE CLEANEST, SAFEST WATER
FOR NEW AND EXISTING POOLS



EXPERT LINE™



ONLY FROM POOL PROS



3+ YEAR PARTS & LABOR WARRANTIES*

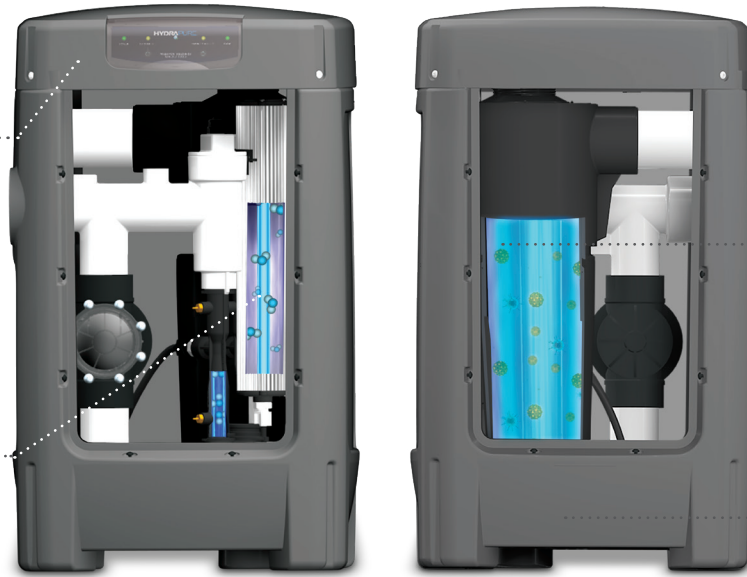
*When sold by a Totally Hayward® partner. Exclusions, other terms and conditions may apply — visit hayward.com/expert for details.

SUPERIOR ALL-IN-ONE SANITIZATION WITH UV, OZONE AND HYDROXYL RADICALS.

Improve any new or existing pool's sanitization capabilities with the 3-in-1 power of HydraPure.™ By combining the germicidal properties of UV with the oxidative power of ozone to form hydroxyl radicals—one of the most potent oxidizers known to man—HydraPure effectively destroys 99.9%* of chlorine-resistant microorganisms in pool water. And with an intelligent, all-in-one design that operates efficiently at 10-120 gpm, pool owners get the cleanest water at any flow rate.

Rotatable lid makes control-panel access easy from any angle

Ozone inactivates organic compounds and stops chlorine byproducts from forming



UV inactivates microorganisms with germicidal properties and combines with ozone to create a third sanitizing oxidant, **hydroxyl radicals**

Advanced performance capability operates at both very low and very high flow rates, offering lower head loss at all flow rates without requiring a bypass



INCOMPARABLE WATER QUALITY

HydraPure not only provides an added layer of sanitization—it reduces irritating chloramines for softer, gentler water.



LESS CHLORINE MAINTENANCE

UV, ozone and hydroxyl radicals reduce the amount of chlorine required for effective sanitization.



FITS IN EASILY—ANYWHERE

All-in-one design makes HydraPure simple to install, and a rotatable control panel with notification lights makes maintenance easy, too.

HYDRAPURE SYSTEMS

PART NUMBER	DESCRIPTION	LIMITED WARRANTY
004952001000	HydraPure UV and Ozone System, Corded, 120V	3 years**
004952002000	HydraPure UV and Ozone System, Hardwired, 120V/240V	3 years**

WHY CHOOSE ADVANCED OXIDATION

	Chemical Residual	Disinfection	Oxidation	Reduces Chloramines
Chlorine	✓	✓	✓	
UV		✓		✓
Ozone		✓	✓	✓
Advanced Oxidation (AOP)		✓+	✓+	✓

*Destroys 99.9% of chlorine-resistant microorganisms up to 80 GPM, with a reduced level above 80 GPM.

** 3-year parts and labor warranty and 1-year warranty on lamps when purchased from a Totally Hayward® Partner.

» hayward.com/hydrapure » 1-888-HAYWARD

Pumps » Filters » Heaters » Cleaners » Sanitization » Automation » Lighting » Water Features » White Goods

Hayward, Hayward & Design, the H logo and Totally Hayward are registered trademarks and Expert Line is a trademark of Hayward Industries, Inc. ("Hayward"). HydraPure is a trademark of GSG Holdings, Inc. ("GSG"). All other trademarks not owned by Hayward or GSG are the property of their respective owners. Hayward and GSG are not in any way affiliated with or endorsed by those third parties. © 2020 Hayward Industries, Inc.

LITHYDRA20A



One app. Unlimited possibilities.

THE OMNILOGIC® APP PROVIDES SEAMLESS MOBILE CONTROL—FOR ANY TYPE OF POOL, FROM ANYWHERE.



Full control of variable-speed pumps, heaters, colour lighting, chemistry, water features and more



Set schedules, create themes and enjoy on/off control of all pool equipment



Simple, intuitive design puts every piece of equipment at your fingertips



OMNI® SYSTEMS & CAPABILITIES

	OmniHub®	OmniPL™	OmniLogic
Main Market	New and existing entry-level pools	New and existing mid-range pools	Premium new build pools
Controlled Relays	1-3	4-8	4-20
Controlled Variable-Speed Pumps	3	8	16
Salt Chlorination	Compatible*	Select Models	Yes
Sub Panel	External	8 Breakers	12-24 Breakers
App	OmniLogic	OmniLogic	OmniLogic

*Requires AquaRite® with Daughter Board

OMNI SYSTEMS, PARTS AND ADD-ONS

PART NUMBER	DESCRIPTION	PART NUMBER	DESCRIPTION
HLBASE	OmniLogic — 4 Relay Base	HLRELAYBANK	OmniLogic 4 — Relay Module
HLPRO4W	OmniPL — 4 Relay with App	HLH485RELAY	Omni® RS485 Smart Relay
HLPRO4SW	OmniPL — 4 Relay, Salt Ready with App	HLWLAN	OmniLogic Wireless Network Antenna
HLPLUS4W	OmniPL — 4 Relay, TCELLS340 Salt Cell with App	HLWIRELESS	OmniLogic Wireless Waterproof Remote
HLPRO4NW	OmniPL — 4 Relay, No Sub Panel with App	HLWALLMOUNT	OmniLogic Wall-Mount Remote
HLPRO4NSW	OmniPL — 4 Relay, No Sub Panel, Salt Ready with App	HLSPASIDE	OmniLogic Wired Spa Side Remote
HLOMNIHUB	OmniHub — Wiring Base Unit, Control Pad, Smart Relay	GVA-24	Valve Actuator, 24 Volt
HLPROUPG	ProLogic® to OmniPL Upgrade Kit	P-KIT	Hayward Salt Plumbing Kit
HLEXPAND	OmniLogic Expansion Panel	HL-CHEM	Sense and Dispense®
HLIOEXPAND	IO Expansion Board (Valves)	HLAQRPCB	AquaRite® Daughter Board
HLRELAY	OmniLogic 1-Relay Module	HLPMPCONV	Variable-Speed Pump Converter Board

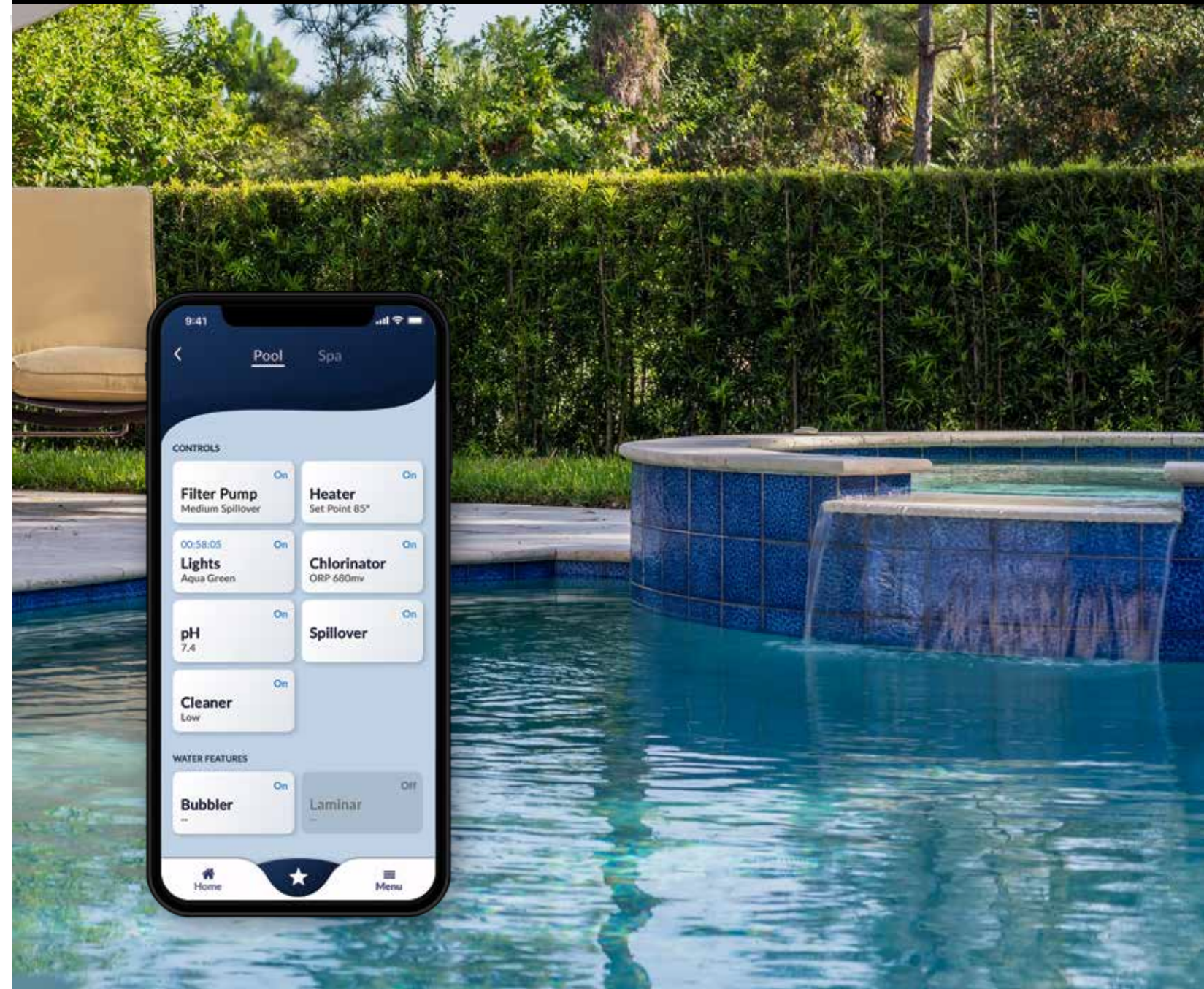
Mobile phone and tablet not included with Omni products

Hayward, Hayward & Design, the H logo, AquaRite, ColorLogic, Omni, OmniHub, OmniLogic, ProLogic, Sense and Dispense and Totally Hayward are registered trademarks and Expert Line, OmniDirect Mode, OmniPL and We Build Better are trademarks of Hayward Industries, Inc. Google® and Google Home® and Nest® are trademarks of Google, LLC. Amazon® and Alexa® are trademarks of Amazon Technologies, Inc. Control4® is a registered trademark of Wirepath Home Systems, LLC. Crestron® is a registered trademark of Crestron Electronics, Inc. RTI® is a registered trademark of Remote Technologies Incorporated. Elan™ is a trademark of Nortek Security & Control LLC. None of these companies are affiliated with Hayward Industries, Inc. nor endorse this product. All other trademarks not owned by Hayward are the property of their respective owners. Hayward is not in any way affiliated with or endorsed by those third parties. © 2023 Hayward Industries, Inc.

LITOMNIFAM23C



Omni® Smart Pool & Spa Control



EXPERT LINE™



*Exclusions, other terms and conditions may apply — visit haywardpool.ca for details.

OMNI® AUTOMATION DOES IT ALL.

As an industry-leading pool automation platform, Hayward® Omni makes mobile pool and spa control simpler and more intuitive than ever.



PUMPS

Save energy with full control of your pumps—including adjusting speeds and setting schedules—no matter where you are.



LIGHTS

Unlock exclusive features with OmniDirect Mode™, including lights, dimming and speed control of ColorLogic® LED lights, plus access to programmed light shows and 20 luxurious colours.



HEATER

Adjust settings on your heater from anywhere, so your pool is warm when you get home—no need to leave the heat on all day.



SPA

Turn on and adjust valve actuators, plus create themes with your favorite heater and lighting settings for instant “ahhh.”



SALT SYSTEM

Conveniently monitor and control chlorination levels for water that feels even better than it looks, and generate chlorine with salt levels as low as 800 ppm.



CLEANER

Turn on your cleaner from anywhere or simply set a schedule so you always come home to a sparkling clean pool.



WATER FEATURES & MORE

Control your waterfall, bubblers and more—or set a schedule right from your phone.



There's an Omni for every pool.

FROM NEW BUILDS TO EXISTING UPGRADES, FIND THE OMNI SMART POOL & SPA CONTROL SYSTEM THAT BEST FITS YOU.



OmniHub®

New and existing entry-level pools

- » **Simple management** of variable-speed pumps, heaters, colour lights, water features and more
- » **OmniDirect Mode** supports ColorLogic LED lighting with 20 added colour options, 7 exclusive shows and precise control of dimming, speed and more
- » **Intuitive app control** from anywhere with the OmniLogic mobile app
- » **Easy voice control** through Amazon® Alexa® and Google Home®
- » **Smart integration** with Control4®, Crestron®, Elan™, RTI® and Nest®
- » **Multi-pump connectivity** controls up to 3 VS pumps
- » **Valve control** of 2 valves
- » **Modular design** lets you add up to 2 relays to the built-in 1
- » **AquaRite® compatible** with AquaRite daughter board
- » **Remote control** works with wireless & spa side remotes



OmniPL™

New and existing mid-range pools

- » **Simple management** of variable-speed pumps, heaters, colour lights, water features and more
- » **OmniDirect Mode** supports ColorLogic LED lighting with 20 added colour options, 7 exclusive shows and precise control of dimming, speed and more
- » **Intuitive app control** from anywhere with the OmniLogic mobile app (W models Only)
- » **Easy voice control** through Amazon® Alexa® and Google Home® (W models only)
- » **Smart integration** with Control4®, Crestron®, Elan™, RTI® and Nest®
- » **Multi-pump connectivity** controls up to 8 VS pumps
- » **Valve control** of 4 valves
- » **Modular design** lets you add up to 4 relays to the built-in 4
- » **Salt-compatible design** with optional Hayward salt cell (S/PLUS-models only)
- » **Remote control** works with all OmniLogic remotes



OmniLogic®

Premium new-build pools

- » **Simple management** of variable-speed pumps, heaters, colour lights, water features and more
- » **OmniDirect Mode** supports ColorLogic LED lighting with 20 added colour options, 7 exclusive shows and precise control of dimming, speed and more
- » **Intuitive app control** from anywhere with the OmniLogic mobile app
- » **Easy voice control** through Amazon® Alexa® and Google Home®
- » **Smart integration** with Control4®, Crestron®, Elan™, RTI® and Nest®
- » **Multi-pump connectivity** controls up to 16 VS pumps
- » **Valve control** of 4 valves, expandable to 16
- » **Modular design** lets you add up to 16 relays and 12 valves
- » **Salt-ready design** pairs easily with Sense and Dispense®
- » **Remote control** works with all OmniLogic remotes



HEY GOOGLE, SET MY LIGHTS TO DEEP SEA BLUE.

Omni systems connect with Amazon® Alexa® and Google Home® for convenient voice control capability, letting you easily change settings, get status reports and more.

Une application. Des possibilités illimitées.

OÙ QUE VOUS SOYEZ, L'APPLICATION OMNILOGIC VOUS OFFRE
UN CONTRÔLE MOBILE POUR TOUT TYPE DE PISCINE.



Contrôle complet des pompes à vitesse variable, des chauffe-eau, du système d'éclairage couleur, de la chimie de l'eau, des aménagements aquatiques et bien plus encore



Créez des horaires ainsi que des thèmes et profitez de la capacité à arrêter et à démarrer tous les équipements de piscine



Conception simple et intuitive grâce à laquelle vous avez le contrôle de tous vos équipements au bout de vos doigts



SYSTÈMES OMNI ET CAPACITÉS

	OmniHub®	OmniPL™	OmniLogic
Marché principal	Piscines d'entrée de gamme, nouvelles et existantes	Piscines de milieu de gamme, nouvelles et existantes	Nouvelles piscines haut de gamme
Relais contrôlés	1 à 3	4 à 8	4 à 20
Pompes à vitesse variable contrôlées	3	8	16
Chloration au sel	Compatible*	Certains modèles	Oui
Sous-panneau	Externe	8 disjoncteurs	12-24 disjoncteurs
Application	OmniLogic	OmniLogic	OmniLogic

*Requiert AquaRite avec une carte fille

SYSTÈMES, PIÈCES ET LOGICIELS COMPLÉMENTAIRES OMNI

N° DE PIÈCE	DESCRIPTION	N° DE PIÈCE	DESCRIPTION
HLBASE	OmniLogic — 4 relais base	HLRELAYBANK	OmniLogic 4 — module relais
HLPRO4W	OmniPL — 4 relais avec application	HLH485RELAY	Omni® RS485 'Smart' relais
HLPRO4SW	OmniPL — 4 relais, une conception prête pour fonctionner avec un système de chloration au sel, avec application	HLWLAN	OmniLogic antenne pour réseau sans fil
HLPLUS4W	OmniPL — 4 relais, cellule électrolytique TCELLS340 avec application	HLWIRELESS	OmniLogic Télécommande sans fil étanche
HLPRO4NW	OmniPL — 4 relais, pas de sous-panneau, avec application	HLWALLMOUNT	OmniLogic télécommande murale
HLPRO4NSW	OmniPL — 4 relais, pas de sous-panneau, une conception prête pour fonctionner avec un système de chloration au sel, avec application	HLSPASIDE	OmniLogic Wired Spa Side Remote
HLOMNIHUB	OmniHub — boîte de connexions, panneau de commande, relai intelligent	GVA-24	Actionneur de vanne, 24 Volt
HLPROUPG	kit de mise à niveau ProLogic® à OmniPL	P-KIT	Ensemble pour la tuyauterie pour le système de chloration au sel Hayward
HLEXPAND	Panneau d'extension OmniLogic	HL-CHEM	Sense et Dispense®
HLIOEXPAND	Carte d'extension IO (vannes)	HLAQRPCB	Carte fille AquaRite®
HLRELAY	OmniLogic module 1-relais	HLPMPCONV	Carte de conversion pour pompes à vitesse variable

Le téléphone cellulaire n'est pas inclus avec les produits OmniPL.



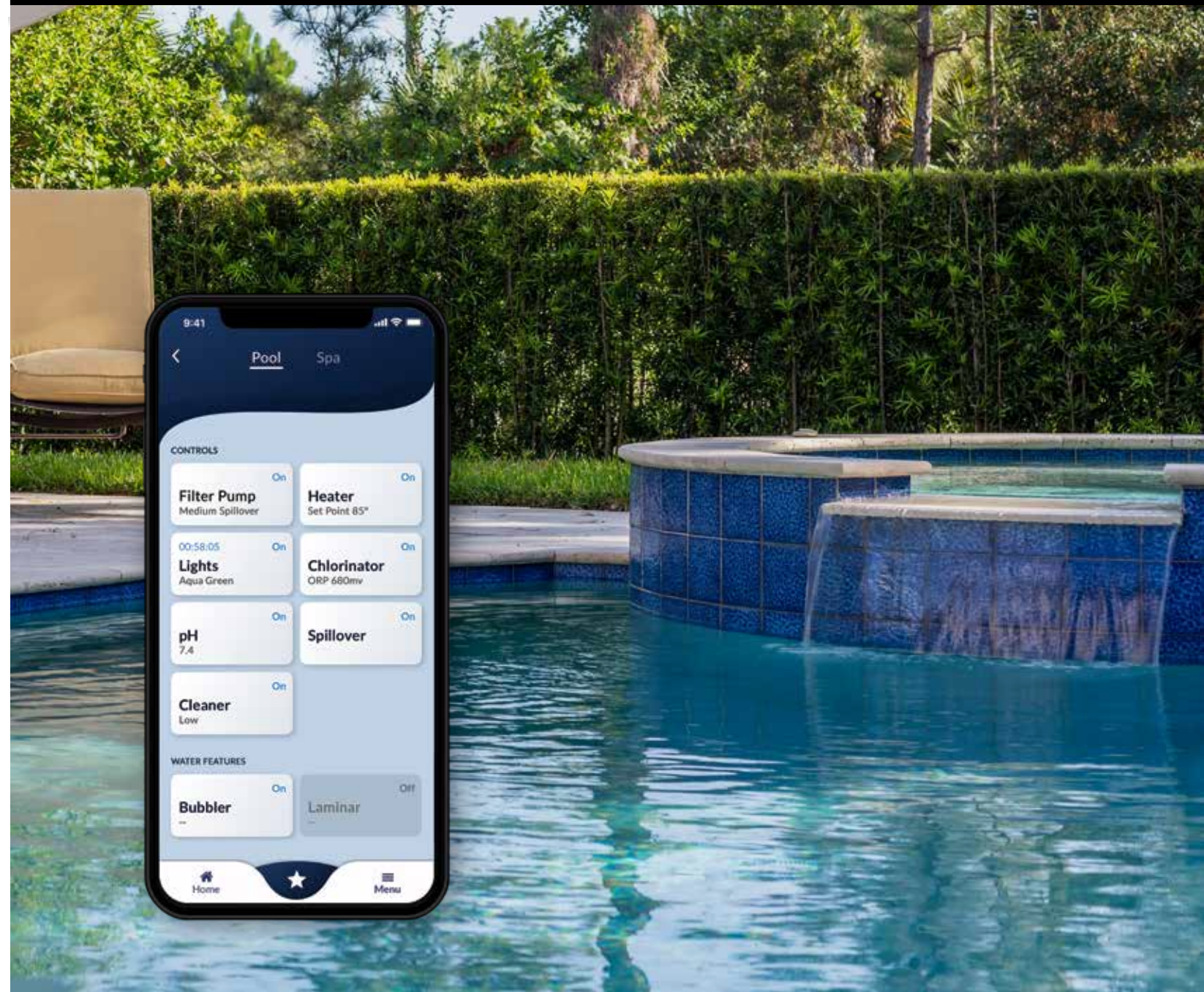
HAYWARDPISCINE.CA

Hayward, Hayward & Design, the H logo, AquaRite, ColorLogic, Omni, OmniHub, OmniLogic, ProLogic, Sense and Dispense and Totally Hayward are registered trademarks and Expert Line, OmniDirect Mode, OmniPL and We Build Better are trademarks of Hayward Industries, Inc. Google® and Google Home® and Nest® are trademarks of Google, LLC. Amazon® and Alexa® are trademarks of Amazon Technologies, Inc. Control4® is a registered trademark of Wirepath Home Systems, LLC. Crestron® is a registered trademark of Crestron Electronics, Inc. RTI® is a registered trademark of Remote Technologies Incorporated. Elan™ is a trademark of Nortek Security & Control LLC. None of these companies are affiliated with Hayward Industries, Inc. nor endorse this product. All other trademarks not owned by Hayward are the property of their respective owners. Hayward is not in any way affiliated with or endorsed by those third parties. © 2023 Hayward Industries, Inc.

LITOMNIFAM23C-F

HAYWARD®
We Build Better.™

Contrôle intelligent de la piscine et du spa Omni



EXPERT LINE™



N'EST PAS VENDUE EN LIGNE



GARANTIES DE 3+ ANS SUR LES PIÈCES*

*Des exclusions et autres conditions peuvent s'appliquer. Visitez le haywardpiscine.ca pour obtenir les détails.

L'AUTOMATISATION OMNIMD FAIT TOUT.

En tant que plateforme d'automatisation de piscines chef de file, Omni de Hayward facilite le contrôle à distance de la piscine et du spa et le rend plus intuitif que jamais.



POMPES

Où que vous soyez, économisez de l'énergie en contrôlant entièrement vos pompes, y compris l'ajustement des vitesses et la création d'horaires.



SYSTÈME D'ÉCLAIRAGE

Accédez à des fonctions exclusives grâce à OmniDirect Mode^{MC}, y compris le contrôle des lumières et de l'intensité et de la vitesse des lumières DEL ColorLogic^{MD}, ainsi qu'à des spectacles lumineux programmés et 20 couleurs éblouissantes.



CHAUFFE-EAU

Où que vous soyez, ajustez les réglages de votre chauffe-eau pour que votre piscine soit à la bonne température quand vous rentrez à la maison. Pas besoin de faire fonctionner le chauffe-eau toute la journée.



SPA

Démarrez et ajustez les actionneurs de vannes et créez des thèmes avec votre chauffe-eau et vos réglages d'éclairage préférés pour un « Ahhh » instantané.



SYSTÈME DE CHLORATION AU SEL

Surveillez et contrôlez facilement le degré de chloration pour une eau qui procure une sensation encore plus agréable qu'on ne pourrait le penser et générez du chlore à une teneur en sel aussi basse que 800 ppm.



NETTOYEUR

Où que vous soyez, démarrez votre nettoyeur ou créez simplement un horaire pour que votre piscine soit toujours d'une propreté étincelante lorsque vous rentrez à la maison.



AMÉNAGEMENTS AQUATIQUES ET PLUS

Contrôlez votre cascade, vos jets bouillonnants et bien plus encore ou créez un horaire depuis votre téléphone.



HEY GOOGLE^{MD}, RÉGLE MES LUMIÈRES À BLEU DE MER.

Les systèmes Omni se connectent à Alexa^{MD} d'Amazon^{MD} et à Google Home^{MD} pour la commodité d'une commande vocale, ce qui vous permet de changer facilement les réglages, d'obtenir des rapports d'état et bien plus encore.

Il y a un Omni pour chaque piscine.

QU'IL S'AGISSE D'UNE NOUVELLE PISCINE OU D'UNE MISE À NIVEAU D'UNE PISCINE EXISTANTE, TROUVEZ LE SYSTÈME DE CONTRÔLE INTELLIGENT DE PISCINE ET DE SPA QUI VOUS CONVIENT LE MIEUX.



OmniHub[®]

Piscines d'entrée de gamme, nouvelles et existantes

» **Une gestion simple des pompes à vitesse variable**, des chauffe-eau, du système d'éclairage couleur, des aménagements aquatiques et bien plus

» **L'OmniDirect Mode** prend en charge les systèmes d'éclairage DEL ColorLogic avec 20 options de couleurs supplémentaires, 7 spectacles lumineux exclusifs et un contrôle précis de l'intensité, de la vitesse et bien plus encore

» **L'application mobile intuitive OmniLogic** permet de contrôler vos équipements de piscine où que vous soyez

» **Une commande vocale facile** par l'entremise d'Alexa^{MD} d'Amazon^{MD} et de Google Home^{MD}

» **Une intégration intelligente** avec Control4^{MD}, Crestron^{MD}, Elan^{MC}, RTI^{MD} et Nest^{MD}

» **Une connectivité multipompe** permet de contrôler jusqu'à trois pompes VS

» **Une compatibilité** avec AquaRite^{MD} avec une carte fille AquaRite

» **Un contrôle à distance grâce** à des télécommandes sans fil et pour le spa

» **Une conception modulaire** permet d'ajouter jusqu'à deux relais à celui qui est intégré



OmniPL[™]

Piscines de milieu de gamme, nouvelles et existantes

» **Une gestion simple des pompes à vitesse variable**, des chauffe-eau, du système d'éclairage couleur, des aménagements aquatiques et bien plus

» **L'OmniDirect Mode** prend en charge les systèmes d'éclairage DEL ColorLogic avec 20 options de couleurs supplémentaires, 7 spectacles lumineux exclusifs et un contrôle précis de l'intensité, de la vitesse et bien plus encore

» **L'application mobile intuitive OmniLogic** permet de contrôler vos équipements de piscine où que vous soyez (modèles W seulement)

» **Une commande vocale facile** par l'entremise d'Alexa^{MD} d'Amazon^{MD} et de Google Home^{MD} (modèles W seulement)

» **Une intégration intelligente** avec Control4^{MD}, Crestron^{MD}, Elan^{MC}, RTI^{MD} et Nest^{MD}

» **Une connectivité multipompe** permet de contrôler jusqu'à huit pompes VS

» **Une conception compatible avec système de chloration au sel** avec une cellule électrolytique Hayward optionnelle (modèles S/PLUS seulement)

» **Un contrôle à distance** qui fonctionne avec toutes les télécommandes OmniLogic



OmniLogic[®]

Nouvelles piscines haut de gamme

» **Une gestion simple des pompes à vitesse variable**, des chauffe-eau, du système d'éclairage couleur, des aménagements aquatiques et bien plus

» **L'OmniDirect Mode** prend en charge les systèmes d'éclairage DEL ColorLogic avec 20 options de couleurs supplémentaires, 7 spectacles lumineux exclusifs et un contrôle précis de l'intensité, de la vitesse et bien plus encore

» **L'application mobile intuitive OmniLogic** permet de contrôler vos équipements de piscine où que vous soyez

» **Une commande vocale facile** par l'entremise d'Alexa^{MD} d'Amazon^{MD} et de Google Home^{MD}

» **Une intégration intelligente** avec Control4^{MD}, Crestron^{MD}, Elan^{MC}, RTI^{MD} et Nest^{MD}

» **Une connectivité multipompe** permet de contrôler jusqu'à 16 pompes VS

» **Un contrôle de vanne** permet de contrôler quatre vannes, et jusqu'à 16

» **Une conception modulaire** permet d'ajouter jusqu'à 16 relais et 12 vannes

» **Une conception prête pour fonctionner** avec un système de chloration au sel qui peut facilement être jumelée au système Sense and Dispense^{MD}