



# Salt Equipment Package

Hayward MaxFlo 500

Hayward Cartridge C150S

Hayward Aquarite S3 325  
Salt Chlorinator

Magic Corrosion Check Valve

Three way valve

OmniHub



We Build Better.®

# MaxFlo® VS 500

Variable-Speed Pump

DURABLE DESIGN, SUPERIOR SAVINGS



EXPERT LINE®



ONLY FROM POOL PROS



3+ YEAR PARTS & LABOR WARRANTIES\*

\*When sold by a Totally Hayward® Partner. Exclusions, other terms and conditions may apply — visit [hayward.com/expert](http://hayward.com/expert) for details.



**Intuitive control pad** can be rotated in four directions on the pump or removed and wall mounted



**EXPERT LINE<sup>®</sup>**  
ONLY FROM POOL PROS

**See-through strainer cover**

lets you see when the basket needs cleaning



**1 1/2" x 2" union connections** allow for seamless installation in any application

**Advanced hydraulic design** offers increased efficiency and incredibly quiet operation, especially at lower speeds



**Upgraded dual-voltage motor drive** delivers 30% quieter high-speed operation than other models



**UNRIVALED RELIABILITY**

A chemical-resistant Viton<sup>®</sup> seal and a 3-year warranty mean MaxFlo VS 500 will provide years of powerful performance.



**ENERGY-EFFICIENT DESIGN**

With a super-efficient permanent magnet totally enclosed fan-cooled motor, MaxFlo VS 500 provides up to 80% energy savings over single-speed pumps and pays for itself faster than larger, more expensive models. Its ENERGY STAR<sup>®</sup> rating means local energy rebates may apply, too.



**UNIVERSAL COMPATIBILITY**

Built with dual-voltage capability, MaxFlo VS 500 is an easy, drop-in upgrade that can operate in standalone mode or connect to any automation system, either directly or with relays.

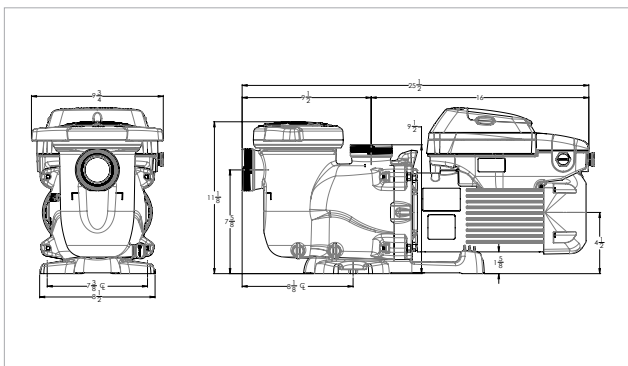


**SPECIFICATIONS**

MODEL NUMBER	TOTAL HP	VOLTAGE	WEIGHTED ENERGY FACTOR (WEF)*	UNION CONNECTIONS	WARRANTY
SP23520VSP	1.65	115/230V	10.7/10.2	1.5" X 2"	3 years**

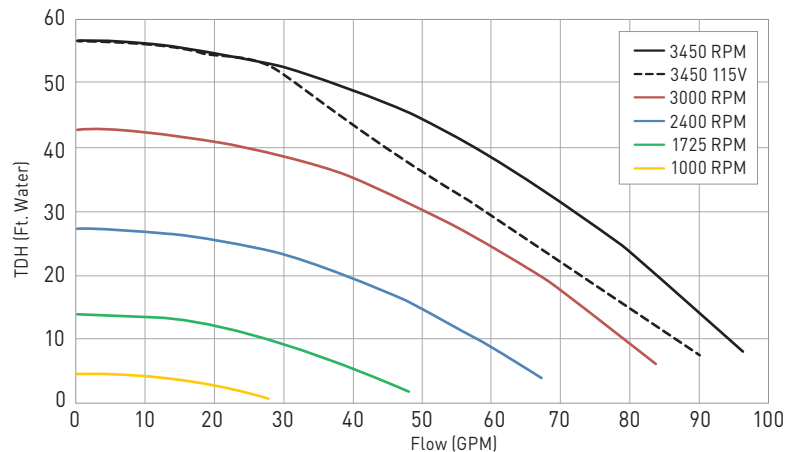
\*The higher the weighted energy factor (WEF), the more efficient the pump. Visit [hayward.com/regulations](http://hayward.com/regulations) for more information.

**MAXFLO VS 500 DIMENSIONS (INCHES)**



MaxFlo VS 500 pumps are listed by:

**MAXFLO VS 500 PERFORMANCE COMPARISON**



\*\*When sold by a Totally Hayward<sup>®</sup> partner. Exclusions, other terms and conditions may apply — visit [hayward.com/expert](http://hayward.com/expert) for details.

» [hayward.com](http://hayward.com) » 1-888-HAYWARD

Pumps » Filters » Heaters » Sanitization » Automation » Lighting » Water Features » Cleaners » Safety

Hayward, Hayward & Design, the H logo, Expert Line, MaxFlo, Totally Hayward and We Build Better. are registered trademarks of Hayward Industries, Inc. ENERGY STAR is a registered mark owned by the U.S. government. All other trademarks not owned by Hayward are the property of their respective owners. Hayward is not in any way affiliated with or endorsed by those third parties.  
© 2023 Hayward Industries, Inc.

LITTMFVS50023





## SwimClear™

»»» Single-Element Cartridge Filter

LOWEST IN HEAD LOSS, HIGHEST  
IN EFFICIENCY





### INCOMPARABLE EFFICIENCY

SwimClear™ filters are simply the most efficient single-element cartridge filters ever produced. Designed for greater hydraulic efficiency, they boast the industry's lowest head loss—saving pool owners more energy and money.



### QUICK & EASY MAINTENANCE

A recessed pressure gauge and manual air relief allow for easy access to SwimClear's head assembly while also sealing the filter against contamination. And with the lowest body height on the market, cleaning and changing filter cartridges is easier than ever.



### SIMPLE INSTALLATION

With 2" x 2½" union connections, SwimClear is quick and easy to retrofit in virtually any application. An Easy-Lok™ ring design and ergonomic handles offer confident filter handling while preventing contact with fiberglass-based surfaces.

## SWIMCLEAR CARTRIDGE FILTERS

Filter Type	Cartridge element: 100 ft² 150 ft² 200 ft² (9.29 m² 13.94 m² 18.58 m²)
Filter Tank	High-strength, injection-molded, glass-reinforced copolymer
Filter Element	Reinforced polyester
Performance Range	100 to 120 GPM, 379 to 455 LPM
Dimensions	C100S: 30½" H x 18¼ W" (775 mm x 464 mm)*
	C150S: 33¾" H x 18¼ W" (857 mm x 464 mm)*
	C200S: 38¾" H x 18¼ W" (984 mm x 464 mm)*

## FILTER PERFORMANCE DATA

MODEL NUMBER		EFFECTIVE FILTRATION AREA	DESIGN FLOW RATE**	TURNOVER	
				8 HOURS	10 HOURS
Residential	C100S	100 ft² / 9.29 m²	100 GPM / 379 LPM	48,000 gal / 182 kl	60,000 gal / 227 kl
	C150S	150 ft² / 13.94 m²	120 GPM / 455 LPM	57,600 gal / 218 kl	72,000 gal / 273 kl
	C200S	200 ft² / 18.58 m²	120 GPM / 455 LPM	57,600 gal / 218 kl	72,000 gal / 273 kl
Public	C100S	100 ft² / 9.29 m²	38 GPM / 142 LPM	18,240 gal / 68 kl	22,800 gal / 85 kl
	C150S	150 ft² / 13.94 m²	56 GPM / 213 LPM	26,880 gal / 102 kl	33,600 gal / 128 kl
	C200S	200 ft² / 18.58 m²	75 GPM / 284 LPM	36,000 gal / 136 kl	45,000 gal / 170 kl

\*Based on lock ring—width at base is 13" (330mm).

\*\*Determined by pump size and piping system hydraulics; 2" piping is recommended for flow rates of 90 GPM (341 LPM); Residential Design Flow rates based on 1 GPM/ft²; Public Design Flow rates based on 0.375 GPM/ft² (15.26 LPM/m²)

» [hayward.com](http://hayward.com) » 1-888-HAYWARD

SwimClear Filters are listed by:



Pumps » Filters » Heating » Cleaners » Sanitization » Automation » Lighting » Water Effects » White Goods





# AquaRite® S3

»»» Salt Chlorination Systems  
with Pool Control

»»» Systèmes de chloration au sel avec  
système de commande de piscine

SUPERIOR SALT CHLORINATION  
WITH BUILT-IN POOL CONTROL

CHLORINATION AU SEL SUPÉRIEURE AVEC  
SYSTÈME DE COMMANDE DE PISCINE INTÉGRÉ



EXPERT LINE



NOT SOLD ONLINE



3+ YEAR PARTS WARRANTIES\*

\*Exclusions, other terms and conditions may apply — visit [haywardpool.ca](http://haywardpool.ca) for details.

# SALT CHLORINATION PLUS BUILT-IN CONTROL: THE SMARTEST WAY TO UPGRADE. CHLORINATION AU SEL ET SYSTÈME DE COMMANDE INTÉGRÉ : LA MISE À NIVEAU LA PLUS JUDICIEUSE.

## 1 START WITH SUPERIOR SALT WATER

AquaRite S3 automatically converts dissolved salt into a virtually endless supply of chlorine for perfectly sanitized pool water. Experience softer, silkier pool water that won't irritate eyes, dry out skin or fade fabrics—all while reducing chlorine costs by up to 50%.

Le système AquaRite S3 convertit automatiquement le sel dissout en une source presque inépuisable de chlore pour une eau de piscine parfaitement bien assainie. Profitez d'une eau plus douce, plus soyeuse qui n'irrite pas les yeux, n'assèche pas la peau et ne décolore pas les tissus, et ce, tout en réduisant jusqu'à 50 % les coûts d'achat de chlore.

## 2 CHOOSE THE LEVEL OF POOL & SPA CONTROL

AquaRite S3 offers basic control over salt chlorination, a heater and a variable-speed pump. AquaRite S3 Omni® gives you advanced control over pool and spa elements like water features, lights, cleaners and more from anywhere with the intuitive OmniLogic® app.

Le système AquaRite S3 offre un contrôle de base de la chloration au sel, d'un chauffe-eau et d'une pompe à vitesse variable. Le système AquaRite S3 Omni<sup>MD</sup>, quant à lui, vous donne un contrôle avancé des éléments du spa et de la piscine comme les aménagements aquatiques, le système d'éclairage, le nettoyeur et bien plus encore, et ce, où que vous soyez grâce à l'application intuitive OmniLogic<sup>MD</sup>.

## 3 ADD ON ACCESSORIES (ANY TIME YOU WANT)

When you start with AquaRite S3, what you create is up to you. The system can be built upon at any time with easy-to-add accessories from smart relays to pH sensing to WiFi connectivity and more.

Lorsque vous commencez par le système AquaRite S3, vous créez ce qui vous convient. Il est toujours possible de le mettre à niveau grâce à des accessoires faciles à ajouter, comme des relais intelligents, un capteur de pH, une connectivité Wi-Fi et bien plus encore.



### AQUARITE S3

Superior salt chlorination plus control of chlorine output, a heater and a variable-speed pump via the convenient on-unit display, with the ability to upgrade to Omni if desired (AQRS30MNIKIT).





### AQUARITE S3 OMNI

Superior salt chlorination plus full control of virtually any pool feature via the Omni control panel, the OmniLogic app and voice control devices including Amazon® Alexa® and Google Home®.

Chloration au sel supérieure avec un contrôle de la quantité de chlore produite, d'un chauffe-eau et d'une pompe à vitesse variable grâce à un écran pratique sur l'appareil et la possibilité d'une mise à niveau à Omni, si vous le désirez (AQRS30MNIKIT).

Chloration au sel supérieure avec contrôle complet de presque tous les aménagements de piscine grâce au panneau de commande Omni, à l'application OmniLogic et aux appareils de commande vocale, dont Alexa<sup>MD</sup> d'Amazon<sup>MD</sup> et Google Home<sup>MD</sup>.

 Features a clear cell for easy inspection  
Doté d'une cellule transparente pour une inspection facile

 Features a clear cell for easy inspection  
Doté d'une cellule transparente pour une inspection facile

#### AQUARITE S3 SALT SYSTEMS AND PARTS

PART NUMBER	DESCRIPTION	PART NUMBER	DESCRIPTION
AQRS315	AquaRite S3 Salt System 15,000-gallon	AQRS30MNIKIT*	AquaRite S3 Omni Upgrade Kit
AQRS325	AquaRite S3 Salt System 25,000-gallon	TCELLS315	TurboCell® S3 Salt Cell 15,000-gallon
AQRS340	AquaRite S3 Salt System 40,000-gallon	TCELLS325	TurboCell S3 Salt Cell 25,000-gallon
AQRS3250MNI*	AquaRite S3 Omni Salt System 25,000-gallon	TCELLS340	TurboCell S3 Salt Cell 40,000-gallon
AQRS3400MNI*	AquaRite S3 Omni Salt System 40,000-gallon	TCELLS340X25	TurboCell S3 Salt Cell 40,000-gallon 25ft. cord

» haywardpool.ca » 1-888-238-7665

Pumps » Filters » Heaters » Cleaners » Sanitization » Automation » Lighting » Water Features » White Goods

\*Coming spring 2021.

Phone not included with AquaRite S3.

Hayward, Hayward & Design, the H logo, AquaRite, Expert Line, Omni, OmniLogic, Totally Hayward and TurboCell are registered trademarks and We Build Better is a trademark of Hayward Canada and Hayward Industries, Inc. Google Home® is a trademark of Google, LLC, Amazon® and Alexa® are trademarks of Amazon Technologies, Inc. Neither of these companies are affiliated with Hayward Industries, Inc. nor endorse this product. © 2021 Hayward Industries, Inc.

LITQRS3SS21C

 **HAYWARD**<sup>®</sup>  
We Build Better.™



# One app. Unlimited possibilities.

THE OMNILOGIC® APP PROVIDES SEAMLESS MOBILE CONTROL—FOR ANY TYPE OF POOL, FROM ANYWHERE.



Full control of variable-speed pumps, heaters, colour lighting, chemistry, water features and more



Set schedules, create themes and enjoy on/off control of all pool equipment



Simple, intuitive design puts every piece of equipment at your fingertips



## OMNI® SYSTEMS & CAPABILITIES

	OmniHub®	OmniPL™	OmniLogic
Main Market	New and existing entry-level pools	New and existing mid-range pools	Premium new build pools
Controlled Relays	1-3	4-8	4-20
Controlled Variable-Speed Pumps	3	8	16
Salt Chlorination	Compatible*	Select Models	Yes
Sub Panel	External	8 Breakers	12-24 Breakers
App	OmniLogic	OmniLogic	OmniLogic

\*Requires AquaRite® with Daughter Board

## OMNI SYSTEMS, PARTS AND ADD-ONS

PART NUMBER	DESCRIPTION	PART NUMBER	DESCRIPTION
HLBASE	OmniLogic — 4 Relay Base	HLRELAYBANK	OmniLogic 4 — Relay Module
HLPRO4W	OmniPL — 4 Relay with App	HLH485RELAY	Omni® RS485 Smart Relay
HLPRO4SW	OmniPL — 4 Relay, Salt Ready with App	HLWLAN	OmniLogic Wireless Network Antenna
HLPLUS4W	OmniPL — 4 Relay, TCELLS340 Salt Cell with App	HLWIRELESS	OmniLogic Wireless Waterproof Remote
HLPRO4NW	OmniPL — 4 Relay, No Sub Panel with App	HLWALLMOUNT	OmniLogic Wall-Mount Remote
HLPRO4NSW	OmniPL — 4 Relay, No Sub Panel, Salt Ready with App	HLSPASIDE	OmniLogic Wired Spa Side Remote
HL0MNIHUB	OmniHub — Wiring Base Unit, Control Pad, Smart Relay	GVA-24	Valve Actuator, 24 Volt
HLPROUPG	ProLogic® to OmniPL Upgrade Kit	P-KIT	Hayward Salt Plumbing Kit
HLEXPAND	OmniLogic Expansion Panel	HL-CHEM	Sense and Dispense®
HLIOEXPAND	IO Expansion Board (Valves)	HLAQRPCB	AquaRite® Daughter Board
HLRELAY	OmniLogic 1-Relay Module	HLPMPCONV	Variable-Speed Pump Converter Board

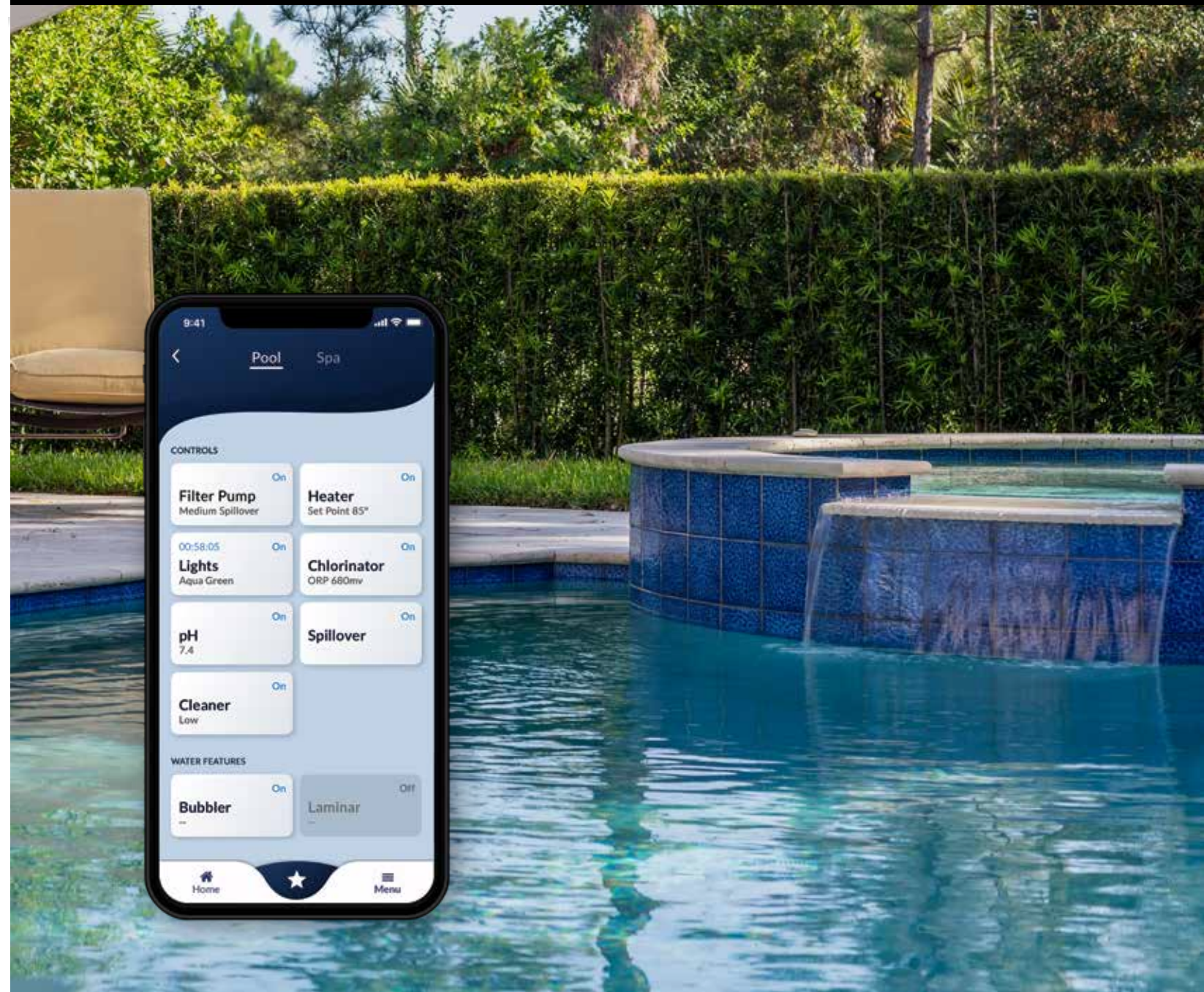
Mobile phone and tablet not included with Omni products

Hayward, Hayward & Design, the H logo, AquaRite, ColorLogic, Omni, OmniHub, OmniLogic, ProLogic, Sense and Dispense and Totally Hayward are registered trademarks and Expert Line, OmniDirect Mode, OmniPL and We Build Better are trademarks of Hayward Industries, Inc. Google® and Google Home® and Nest® are trademarks of Google, LLC. Amazon® and Alexa® are trademarks of Amazon Technologies, Inc. Control4® is a registered trademark of Wirepath Home Systems, LLC. Crestron® is a registered trademark of Crestron Electronics, Inc. RTI® is a registered trademark of Remote Technologies Incorporated. Elan™ is a trademark of Nortek Security & Control LLC. None of these companies are affiliated with Hayward Industries, Inc. nor endorse this product. All other trademarks not owned by Hayward are the property of their respective owners. Hayward is not in any way affiliated with or endorsed by those third parties. © 2023 Hayward Industries, Inc.

LITOMNIFAM23C



# Omni® Smart Pool & Spa Control



EXPERT LINE™



\*Exclusions, other terms and conditions may apply — visit haywardpool.ca for details.



# OMNI® AUTOMATION DOES IT ALL.

As an industry-leading pool automation platform, Hayward® Omni makes mobile pool and spa control simpler and more intuitive than ever.



## PUMPS

Save energy with full control of your pumps—including adjusting speeds and setting schedules—no matter where you are.



## LIGHTS

Unlock exclusive features with OmniDirect Mode™, including lights, dimming and speed control of ColorLogic® LED lights, plus access to programmed light shows and 20 luxurious colours.



## HEATER

Adjust settings on your heater from anywhere, so your pool is warm when you get home—no need to leave the heat on all day.



## SPA

Turn on and adjust valve actuators, plus create themes with your favorite heater and lighting settings for instant “ahhh.”



## SALT SYSTEM

Conveniently monitor and control chlorination levels for water that feels even better than it looks, and generate chlorine with salt levels as low as 800 ppm.



## CLEANER

Turn on your cleaner from anywhere or simply set a schedule so you always come home to a sparkling clean pool.



## WATER FEATURES & MORE

Control your waterfall, bubblers and more—or set a schedule right from your phone.



## There's an Omni for every pool.

FROM NEW BUILDS TO EXISTING UPGRADES, FIND THE OMNI SMART POOL & SPA CONTROL SYSTEM THAT BEST FITS YOU.



### OmniHub®

New and existing entry-level pools

- » **Simple management** of variable-speed pumps, heaters, colour lights, water features and more
- » **OmniDirect Mode** supports ColorLogic LED lighting with 20 added colour options, 7 exclusive shows and precise control of dimming, speed and more
- » **Intuitive app control** from anywhere with the OmniLogic mobile app
- » **Easy voice control** through Amazon® Alexa® and Google Home®
- » **Smart integration** with Control4®, Crestron®, Elan™, RTI® and Nest®
- » **Multi-pump connectivity** controls up to 3 VS pumps
- » **Valve control** of 2 valves
- » **Modular design** lets you add up to 2 relays to the built-in 1
- » **AquaRite® compatible** with AquaRite daughter board
- » **Remote control** works with wireless & spa side remotes



### OmniPL™

New and existing mid-range pools

- » **Simple management** of variable-speed pumps, heaters, colour lights, water features and more
- » **OmniDirect Mode** supports ColorLogic LED lighting with 20 added colour options, 7 exclusive shows and precise control of dimming, speed and more
- » **Intuitive app control** from anywhere with the OmniLogic mobile app (W models Only)
- » **Easy voice control** through Amazon® Alexa® and Google Home® (W models only)
- » **Smart integration** with Control4®, Crestron®, Elan™, RTI® and Nest®
- » **Multi-pump connectivity** controls up to 8 VS pumps
- » **Valve control** of 4 valves
- » **Modular design** lets you add up to 4 relays to the built-in 4
- » **Salt-compatible design** with optional Hayward salt cell (S/PLUS-models only)
- » **Remote control** works with all OmniLogic remotes



### OmniLogic®

Premium new-build pools

- » **Simple management** of variable-speed pumps, heaters, colour lights, water features and more
- » **OmniDirect Mode** supports ColorLogic LED lighting with 20 added colour options, 7 exclusive shows and precise control of dimming, speed and more
- » **Intuitive app control** from anywhere with the OmniLogic mobile app
- » **Easy voice control** through Amazon® Alexa® and Google Home®
- » **Smart integration** with Control4®, Crestron®, Elan™, RTI® and Nest®
- » **Multi-pump connectivity** controls up to 16 VS pumps
- » **Valve control** of 4 valves, expandable to 16
- » **Modular design** lets you add up to 16 relays and 12 valves
- » **Salt-ready design** pairs easily with Sense and Dispense®
- » **Remote control** works with all OmniLogic remotes



### HEY GOOGLE, SET MY LIGHTS TO DEEP SEA BLUE.

Omni systems connect with Amazon® Alexa® and Google Home® for convenient voice control capability, letting you easily change settings, get status reports and more.



# Une application. Des possibilités illimitées.

OÙ QUE VOUS SOYEZ, L'APPLICATION OMNILOGIC VOUS OFFRE  
UN CONTRÔLE MOBILE POUR TOUT TYPE DE PISCINE.



Contrôle complet des pompes à vitesse variable, des chauffe-eau, du système d'éclairage couleur, de la chimie de l'eau, des aménagements aquatiques et bien plus encore



Créez des horaires ainsi que des thèmes et profitez de la capacité à arrêter et à démarrer tous les équipements de piscine



Conception simple et intuitive grâce à laquelle vous avez le contrôle de tous vos équipements au bout de vos doigts



## SYSTÈMES OMNI ET CAPACITÉS

	OmniHub®	OmniPL™	OmniLogic
Marché principal	Piscines d'entrée de gamme, nouvelles et existantes	Piscines de milieu de gamme, nouvelles et existantes	Nouvelles piscines haut de gamme
Relais contrôlés	1 à 3	4 à 8	4 à 20
Pompes à vitesse variable contrôlées	3	8	16
Chloration au sel	Compatible*	Certains modèles	Oui
Sous-panneau	Externe	8 disjoncteurs	12-24 disjoncteurs
Application	OmniLogic	OmniLogic	OmniLogic

\*Requiert AquaRite avec une carte fille

## SYSTÈMES, PIÈCES ET LOGICIELS COMPLÉMENTAIRES OMNI

N° DE PIÈCE	DESCRIPTION	N° DE PIÈCE	DESCRIPTION
HLBASE	OmniLogic — 4 relais base	HLRELAYBANK	OmniLogic 4 — module relais
HLPRO4W	OmniPL — 4 relais avec application	HLH485RELAY	Omni® RS485 'Smart' relais
HLPRO4SW	OmniPL — 4 relais, une conception prête pour fonctionner avec un système de chloration au sel, avec application	HLWLAN	OmniLogic antenne pour réseau sans fil
HLPLUS4W	OmniPL — 4 relais, cellule électrolytique TCELLS340 avec application	HLWIRELESS	OmniLogicTélécommande sans fil étanche
HLPRO4NW	OmniPL — 4 relais, pas de sous-panneau, avec application	HLWALLMOUNT	OmniLogic télécommande murale
HLPRO4NSW	OmniPL — 4 relais, pas de sous-panneau, une conception prête pour fonctionner avec un système de chloration au sel, avec application	HLSPASIDE	OmniLogic Wired Spa Side Remote
HLOMNIHUB	OmniHub — boîte de connexions, panneau de commande, relai intelligent	GVA-24	Actionneur de vanne, 24 Volt
HLPROUPG	kit de mise à niveau ProLogic® à OmniPL	P-KIT	Ensemble pour la tuyauterie pour le système de chloration au sel Hayward
HLEXPAND	Panneau d'extension OmniLogic	HL-CHEM	Sense et Dispense®
HLIOEXPAND	Carte d'extension IO (vannes)	HLAQRPCB	Carte fille AquaRite®
HLRELAY	OmniLogic module 1-relais	HLPMPCONV	Carte de conversion pour pompes à vitesse variable

Le téléphone cellulaire n'est pas inclus avec les produits OmniPL.



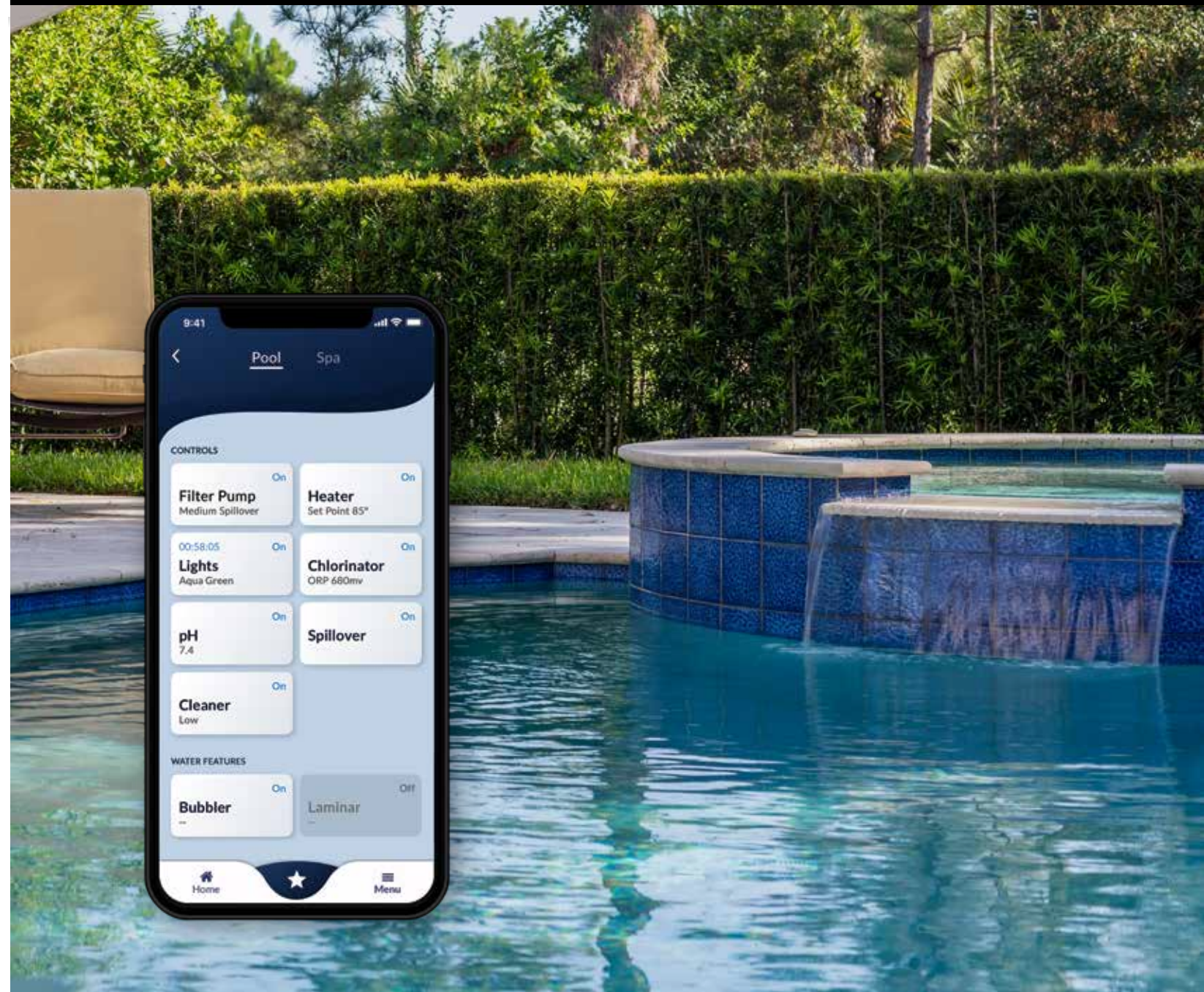
HAYWARDPISCINE.CA

Hayward, Hayward & Design, the H logo, AquaRite, ColorLogic, Omni, OmniHub, OmniLogic, ProLogic, Sense and Dispense and Totally Hayward are registered trademarks and Expert Line, OmniDirect Mode, OmniPL and We Build Better are trademarks of Hayward Industries, Inc. Google® and Google Home® and Nest® are trademarks of Google, LLC. Amazon® and Alexa® are trademarks of Amazon Technologies, Inc. Control4® is a registered trademark of Wirepath Home Systems, LLC. Crestron® is a registered trademark of Crestron Electronics, Inc. RTI® is a registered trademark of Remote Technologies Incorporated. Elan™ is a trademark of Nortek Security & Control LLC. None of these companies are affiliated with Hayward Industries, Inc. nor endorse this product. All other trademarks not owned by Hayward are the property of their respective owners. Hayward is not in any way affiliated with or endorsed by those third parties. © 2023 Hayward Industries, Inc.

LITOMNIFAM23C-F

**HAYWARD®**  
We Build Better.™

# Contrôle intelligent de la piscine et du spa Omni



EXPERT LINE™



N'EST PAS VENDUE EN LIGNE



GARANTIES DE 3+ ANS SUR LES PIÈCES\*

\*Des exclusions et autres conditions peuvent s'appliquer. Visitez le haywardpiscine.ca pour obtenir les détails.



# L'AUTOMATISATION OMNIMD FAIT TOUT.

En tant que plateforme d'automatisation de piscines chef de file, Omni de Hayward facilite le contrôle à distance de la piscine et du spa et le rend plus intuitif que jamais.



## POMPES

Où que vous soyez, économisez de l'énergie en contrôlant entièrement vos pompes, y compris l'ajustement des vitesses et la création d'horaires.



## SYSTÈME D'ÉCLAIRAGE

Accédez à des fonctions exclusives grâce à OmniDirect Mode<sup>MC</sup>, y compris le contrôle des lumières et de l'intensité et de la vitesse des lumières DEL ColorLogic<sup>MD</sup>, ainsi qu'à des spectacles lumineux programmés et 20 couleurs éblouissantes.



## CHAUFFE-EAU

Où que vous soyez, ajustez les réglages de votre chauffe-eau pour que votre piscine soit à la bonne température quand vous rentrez à la maison. Pas besoin de faire fonctionner le chauffe-eau toute la journée.



## SPA

Démarrez et ajustez les actionneurs de vannes et créez des thèmes avec votre chauffe-eau et vos réglages d'éclairage préférés pour un « Ahhh » instantané.



## SYSTÈME DE CHLORATION AU SEL

Surveillez et contrôlez facilement le degré de chloration pour une eau qui procure une sensation encore plus agréable qu'on ne pourrait le penser et générez du chlore à une teneur en sel aussi basse que 800 ppm.



## NETTOYEUR

Où que vous soyez, démarrez votre nettoyeur ou créez simplement un horaire pour que votre piscine soit toujours d'une propreté étincelante lorsque vous rentrez à la maison.



## AMÉNAGEMENTS AQUATIQUES ET PLUS

Contrôlez votre cascade, vos jets bouillonnants et bien plus encore ou créez un horaire depuis votre téléphone.



## HEY GOOGLE<sup>MD</sup>, RÉGLE MES LUMIÈRES À BLEU DE MER.

Les systèmes Omni se connectent à Alexa<sup>MD</sup> d'Amazon<sup>MD</sup> et à Google Home<sup>MD</sup> pour la commodité d'une commande vocale, ce qui vous permet de changer facilement les réglages, d'obtenir des rapports d'état et bien plus encore.

## Il y a un Omni pour chaque piscine.

QU'IL S'AGISSE D'UNE NOUVELLE PISCINE OU D'UNE MISE À NIVEAU D'UNE PISCINE EXISTANTE, TROUVEZ LE SYSTÈME DE CONTRÔLE INTELLIGENT DE PISCINE ET DE SPA QUI VOUS CONVIENT LE MIEUX.



### OmniHub<sup>®</sup>

Piscines d'entrée de gamme, nouvelles et existantes

» **Une gestion simple des pompes à vitesse variable**, des chauffe-eau, du système d'éclairage couleur, des aménagements aquatiques et bien plus

» **L'OmniDirect Mode** prend en charge les systèmes d'éclairage DEL ColorLogic avec 20 options de couleurs supplémentaires, 7 spectacles lumineux exclusifs et un contrôle précis de l'intensité, de la vitesse et bien plus encore

» **L'application mobile intuitive OmniLogic** permet de contrôler vos équipements de piscine où que vous soyez

» **Une commande vocale facile** par l'entremise d'Alexa<sup>MD</sup> d'Amazon<sup>MD</sup> et de Google Home<sup>MD</sup>

» **Une intégration intelligente** avec Control4<sup>MD</sup>, Crestron<sup>MD</sup>, Elan<sup>MC</sup>, RTI<sup>MD</sup> et Nest<sup>MD</sup>

» **Une connectivité multipompe** permet de contrôler jusqu'à trois pompes VS

» **Une compatibilité** avec AquaRite<sup>MD</sup> avec une carte fille AquaRite

» **Un contrôle à distance grâce** à des télécommandes sans fil et pour le spa

» **Une conception modulaire** permet d'ajouter jusqu'à deux relais à celui qui est intégré



### OmniPL<sup>™</sup>

Piscines de milieu de gamme, nouvelles et existantes

» **Une gestion simple des pompes à vitesse variable**, des chauffe-eau, du système d'éclairage couleur, des aménagements aquatiques et bien plus

» **L'OmniDirect Mode** prend en charge les systèmes d'éclairage DEL ColorLogic avec 20 options de couleurs supplémentaires, 7 spectacles lumineux exclusifs et un contrôle précis de l'intensité, de la vitesse et bien plus encore

» **L'application mobile intuitive OmniLogic** permet de contrôler vos équipements de piscine où que vous soyez (modèles W seulement)

» **Une commande vocale facile** par l'entremise d'Alexa<sup>MD</sup> d'Amazon<sup>MD</sup> et de Google Home<sup>MD</sup> (modèles W seulement)

» **Une intégration intelligente** avec Control4<sup>MD</sup>, Crestron<sup>MD</sup>, Elan<sup>MC</sup>, RTI<sup>MD</sup> et Nest<sup>MD</sup>

» **Une connectivité multipompe** permet de contrôler jusqu'à huit pompes VS

» **Une conception compatible avec système de chloration au sel** avec une cellule électrolytique Hayward optionnelle (modèles S/PLUS seulement)

» **Un contrôle à distance** qui fonctionne avec toutes les télécommandes OmniLogic



### OmniLogic<sup>®</sup>

Nouvelles piscines haut de gamme

» **Une gestion simple des pompes à vitesse variable**, des chauffe-eau, du système d'éclairage couleur, des aménagements aquatiques et bien plus

» **L'OmniDirect Mode** prend en charge les systèmes d'éclairage DEL ColorLogic avec 20 options de couleurs supplémentaires, 7 spectacles lumineux exclusifs et un contrôle précis de l'intensité, de la vitesse et bien plus encore

» **L'application mobile intuitive OmniLogic** permet de contrôler vos équipements de piscine où que vous soyez

» **Une commande vocale facile** par l'entremise d'Alexa<sup>MD</sup> d'Amazon<sup>MD</sup> et de Google Home<sup>MD</sup>

» **Une intégration intelligente** avec Control4<sup>MD</sup>, Crestron<sup>MD</sup>, Elan<sup>MC</sup>, RTI<sup>MD</sup> et Nest<sup>MD</sup>

» **Une connectivité multipompe** permet de contrôler jusqu'à 16 pompes VS

» **Un contrôle de vanne** permet de contrôler quatre vannes, et jusqu'à 16

» **Une conception modulaire** permet d'ajouter jusqu'à 16 relais et 12 vannes

» **Une conception prête pour fonctionner** avec un système de chloration au sel qui peut facilement être jumelée au système Sense and Dispense<sup>MD</sup>