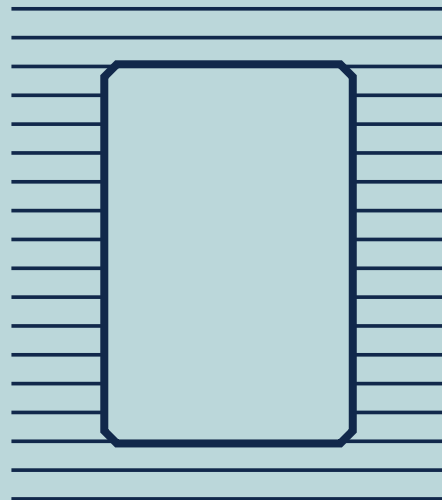


INSTALLATION GUIDE
ARENA | STUDIO | ORIGINAL | MAX

Step 07

Finishing + Surrounds

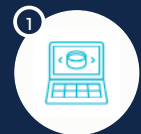


Our 8 step process to installing your Plungie

[Click here](#) to access the complete Plungie Install Guide.

Alternatively, you can click on any of the 8 icons below, each representing a specific step in the installation process.

Clicking on an icon will take you directly to the corresponding guide, allowing you to access the information you need quickly and easily.



Choose Plungie



Building



Site



Crane Hire



Electrical +



Plumb Up



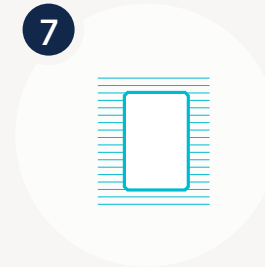
Finishings +



Fill + Start Up

This information is offered as a general guide only, and specific advice should always be sought by engaging with an engineer before undertaking any installations specific to your site.

Whilst Plungie Pty Ltd has made every effort to ensure the accuracy and effectiveness of this information, we make no representation as to the accuracy or effectiveness of the information and take no responsibility for any loss, damage or injury which may be caused as a direct or indirect result of the use of this information.



Step 07 Finishing + Surrounds

- WATERLINE TILES (OPTIONAL)
- COPING TILE
- DECKING / PAVING / SURROUNDS
- LANDSCAPING
- POOL FENCING CERTIFICATION

The content provided in this guide is part of an 8 step process extracted from the [Plungie Install Guide](#)

This guide is intended to provide you with a brief overview of this step, within our 8 step process. However, it's important to note that this excerpt should be read in conjunction with our more detailed guide and engineering set.

The more detailed guide and engineering set contain critical information that will help ensure a successful installation, and we highly recommend that you refer to them throughout the process.

By doing so, you'll have access to all the necessary information, including installation diagrams, specifications, and step-by-step instructions.

So, let's get started!



This guide is continually updated, please ensure you are accessing it via the link provided to ensure you are viewing the latest copy.

Step 7

Finishing + Surrounds

Finishing and surrounds	59
Landscaping and tiling	59
Tiling Guide	60

GET READY TO...

- Tile (Optional)
- Coping tiles
- Pool surrounds - decking / paving
- Landscaping

Finishing and surrounds

If your Plungie is being installed in-ground or semi-recessed, the over-excavated area of the footing will need to be backfilled with a granular material that allows for drainage away from the footings.



Fencing may or may not be required in your area, check your local pool code for pool safety barrier requirements.

When purchasing a Plungie without our standard ecoFinish internal coating as a 'blank shell' or with a waterline tile provision, the Plungie will require waterproofing on-site before the internal tile finish can be carried out.

We recommend engaging a trade qualified tiler, who has experience waterproofing and tiling concrete pools, as this is a critical step in finishing the internal of the Plungie.

LANDSCAPING AND TILING

There is a high risk of damage to your pool during the construction phase, whilst tiling, fencing, landscaping and plumbing. Any damage caused may impact or void your pool warranty, so ensure all trades are aware of the associated risks and that considerations are in place before works begin.

HIDE SKIM LID

Our skimmer box lids come in gray or white but there is the option to purchase a 'hide skim' lid from various suppliers. This solution allows you to replace your factory finish lid with a stainless steel lid that has an inlay allowing you to drop in your surrounding tile or decking board for a seamless finish.



Skimmer Box Concrete Surround Requirements

Prior to pouring the surrounds, make sure to incorporate ableflex or boxing around the skimmer box.

This prevents potential cracking of the skimmer box unit due to concrete expansion or contraction.

[Refer to Poolrite Innoskim User Manual](#)



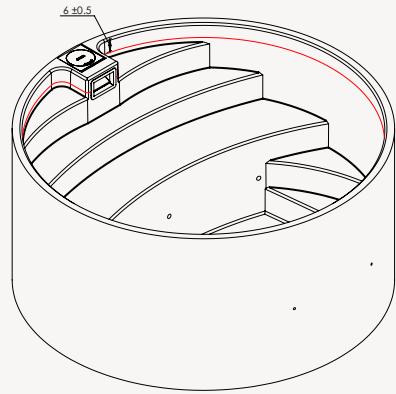
Waterline Tile Provision

When selecting ecoFinish, a provision can be made for the ecoFinish to stop just above the bottom of the first step. This will allow you to apply a waterline tile to your pool once installed.

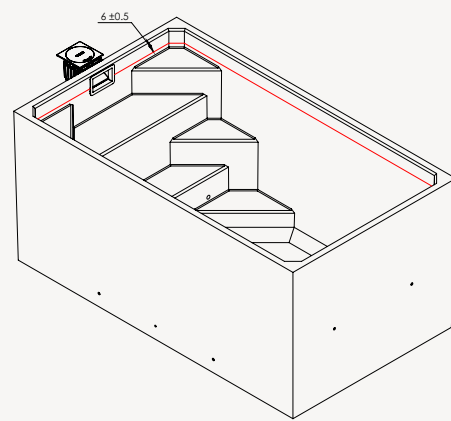
The location for the waterline is approximately 6" ± 0.5" from the top of the pool, with our ecoFinish stopping slightly above the first corner step.

!
Important:
 The provision for the waterline tile needs to be confirmed prior to production of the pool.

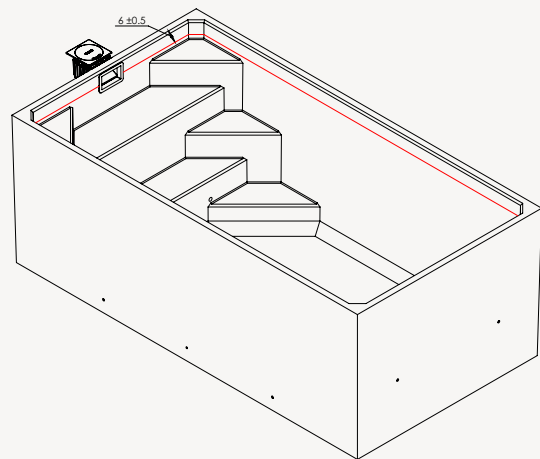
PLUNGIE ARENA



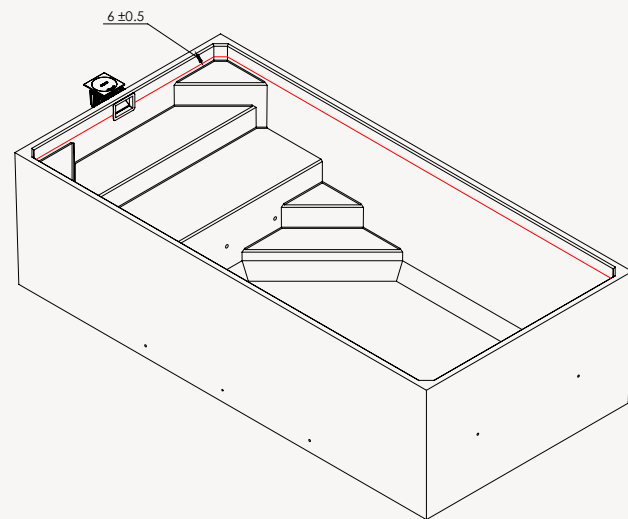
PLUNGIE STUDIO



PLUNGIE ORIGINAL



PLUNGIE MAX



Tiling requirements

When purchasing a Plungie as a blank shell, meaning without our standard ecoFinish internal coating, the Plungie will require waterproofing in-field before the internal tile finish can be carried out.

We recommend engaging a trade qualified tiler who has experience waterproofing and tiling concrete pools as this is a critical step in finishing the internal of the Plungie.

WATERPROOFING THE SHELL

Product	Laticrete Hydro Ban
Coats	Two
Application	As per product direction
	Further information on Laticrete can be found here.

GLUING + GROUTING LARGE FORMAT TILES

Glue	Laticrete 335
	Further information on can be found here.
Grout	Mapei Keracolor FF
	Further information on Mapei Kercolour FF can be found here.

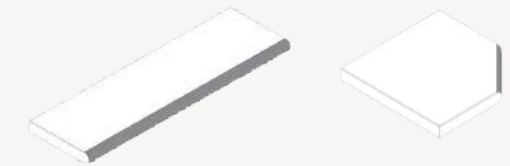
GLUING + GROUTING SMALL MOSAIC TILES

Glue	Mapei Keracolor FF in selected grout color mixed with Mapei Liquid additive (mix turns grout to glue).
Grout	Mapei Keracolor FF in selected grout color mixed with water, as per product description.
	Further information on Mapei Kercolour FF can be found here.

Coping Tiles

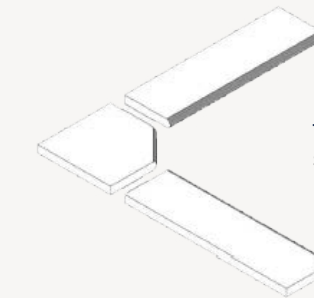
There are a range of different coping tiles available to suit your aesthetic requirements, we do however recommend a mosaic edge for the Arena due to the curve for ease of tiling.

COPING DETAILS



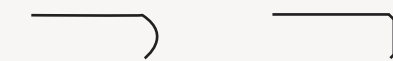
Coping Tiles
 Shaded edge is Profile Edge

Diagonal Internal Corners
 Shaded edge is Profile Edge



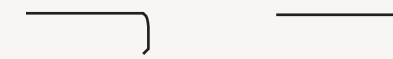
Tiling Guide for Corners
 Shaded edge is Profile Edge

PROFILE EDGE OPTIONS



Machine Bullnose

Machine Square



Tumbled

Natural Travertine



www.plungie.com
1300 PLUNGIE (758 644)