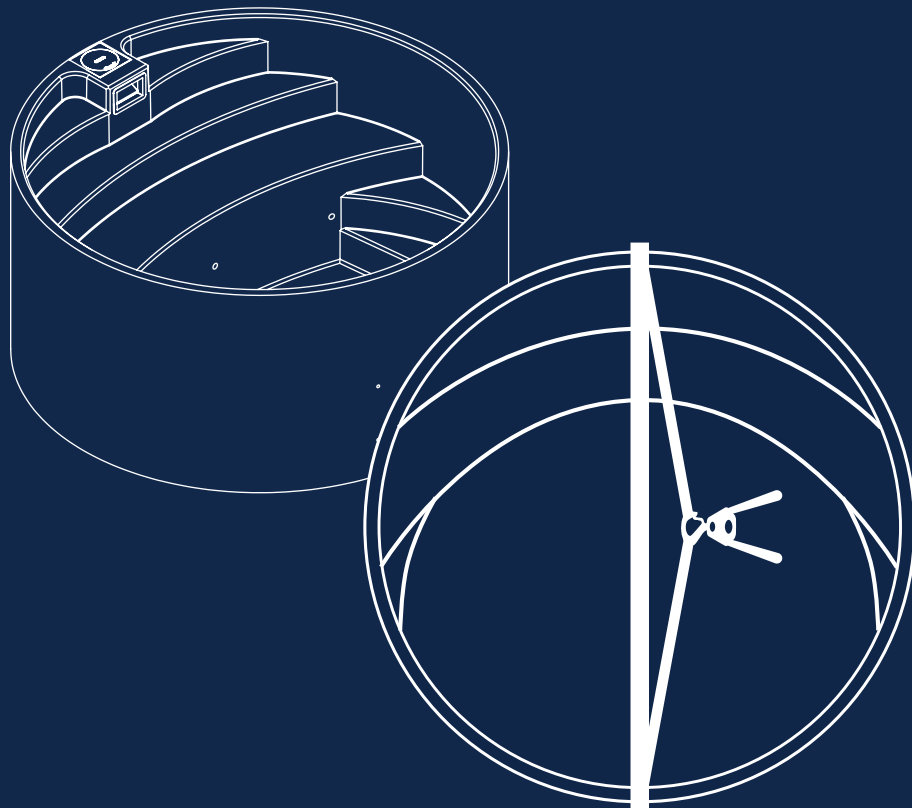


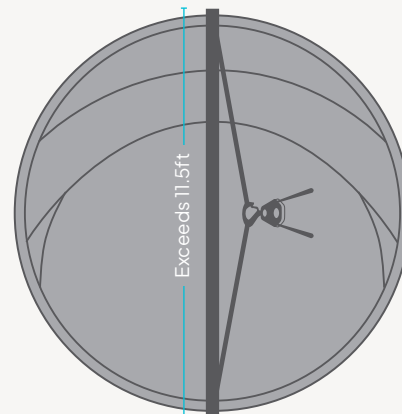
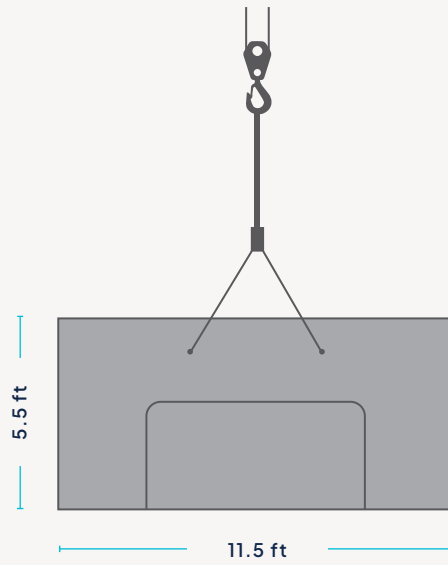
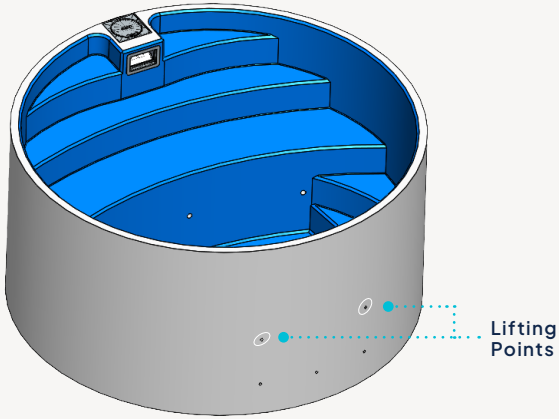
INSTALLATION GUIDE

# Lifting Guide

Arena



# Lifting Diagram Arena



## Plungie Arena Lifting Specifications

Diameter	11.5 ft
Height	5.5 ft
Weight	15,430 lbs
Lift Type	Spreader bar with straps / chains
Lifting Points	1" x 4" Coil Bolts (provided)
Tool Required	1 1/2" Deep Socket and Extended Socket Ratchet



### Important Information

The tools required must be provided by the crane company. Damage to the product may occur and void the warranty if not lifted correctly. Padding or a guard may be needed in cases to prevent physical damage.