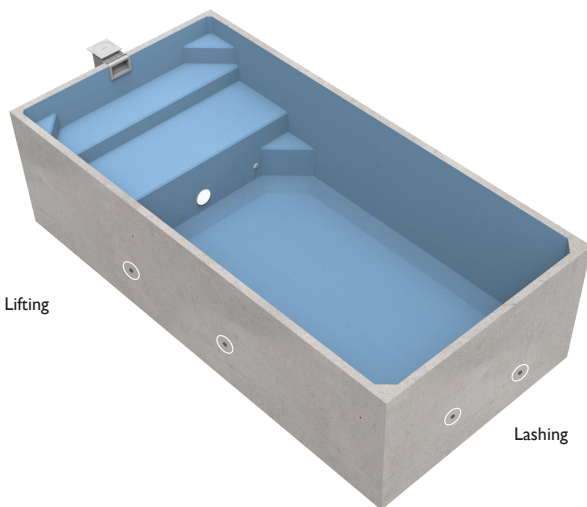
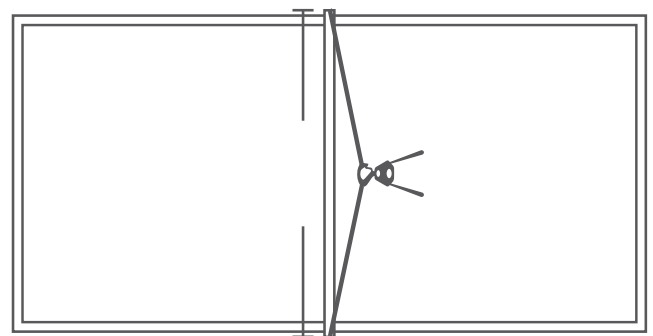
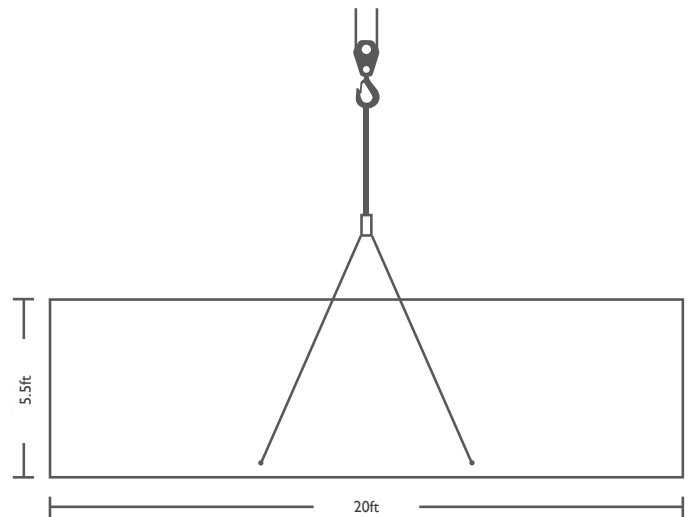
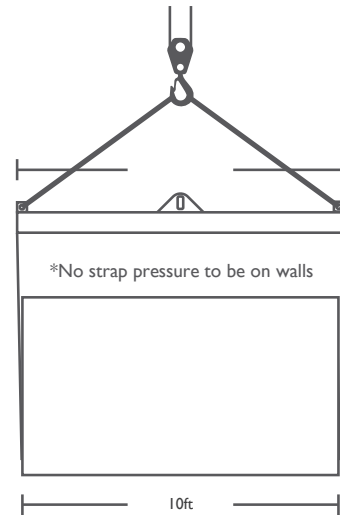


—
Max



Max Lifting Diagram

Length	20ft
Width	10ft
Height	5.5ft
Weight	26,000lbs
Lift type	Spreader bar with straps/chains
Lifting points	1" x 4" Coil Bolts (Provided in Shipment Box)
Tools required	1 1/2" Deep Socket and Extended Socket Ratchet



Please note: the tools required must be provided by the crane company. Upon arrival, move the swivels from the lashing position to the lifting position. Damage to the product may occur if not lifted correctly.