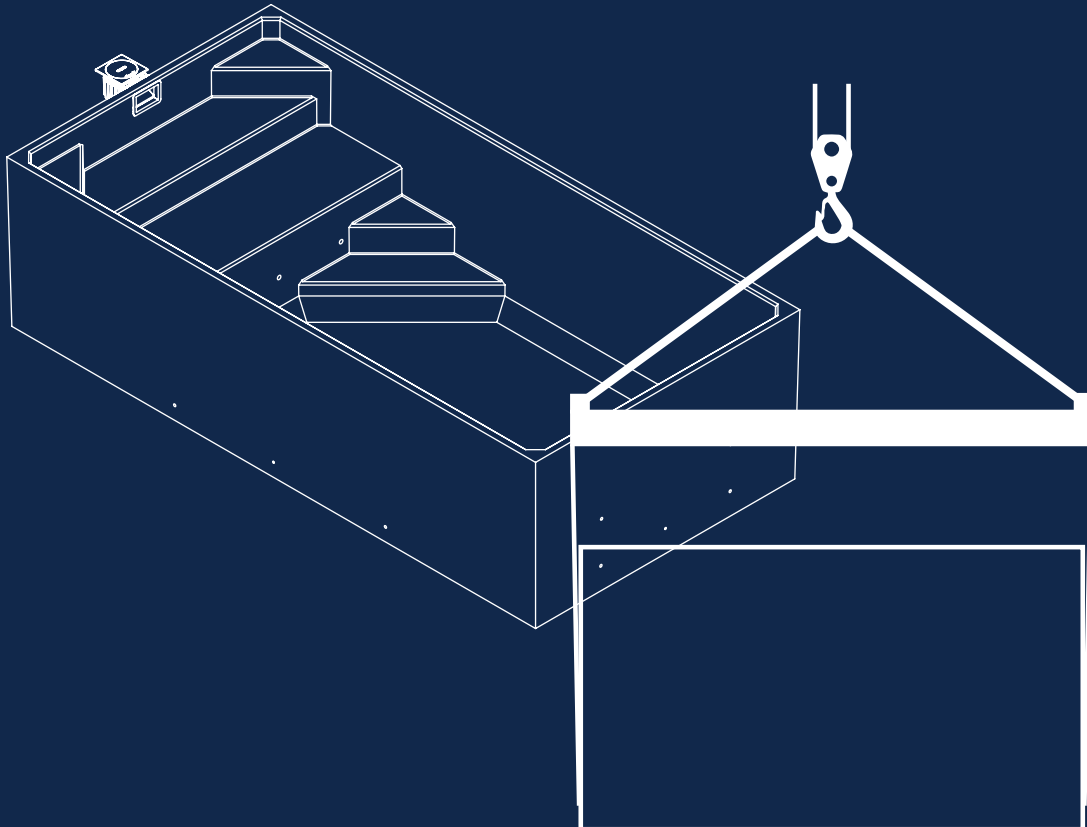


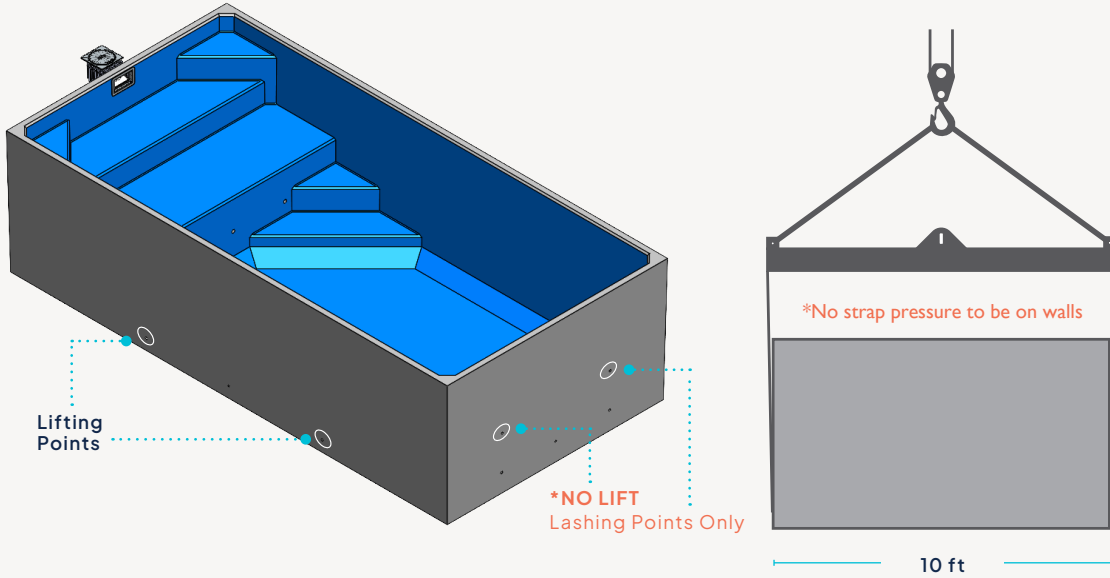
INSTALLATION GUIDE

Lifting Guide

Max

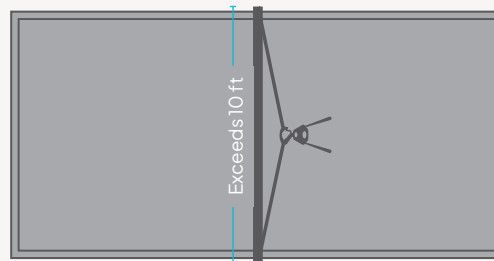
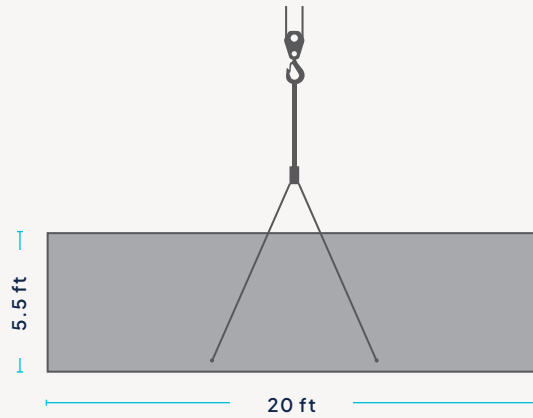


Lifting Diagram Max



Plungie Max Lifting Specifications

Length	20 ft
Width	10 ft
Height	5.5 ft
Weight	24,700 lbs
Lift Type	Spreader bar with straps / chains
Lifting Points	1" x 4" Coil Bolts (provided)
Tool Required	1 1/2" Deep Socket and Extended Socket Ratchet



Please note:

The tools required must be provided by the crane company. Upon arrival, move the swivels from the lashing position to the lifting position. Damage to the product may occur if not lifted correctly. Padding or a guard may be needed in cases to prevent physical damage.