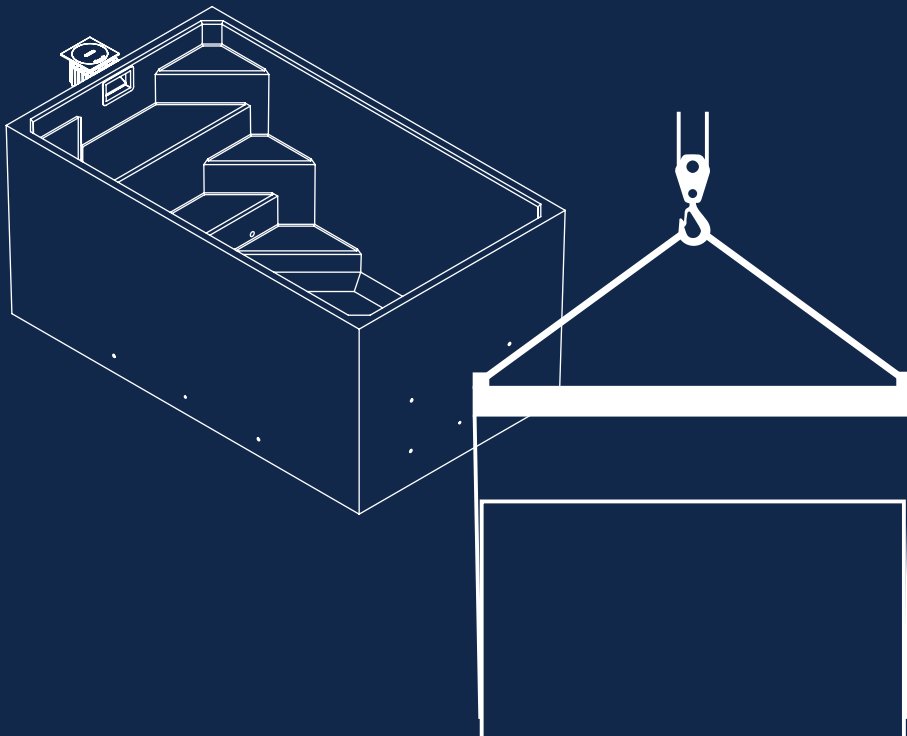


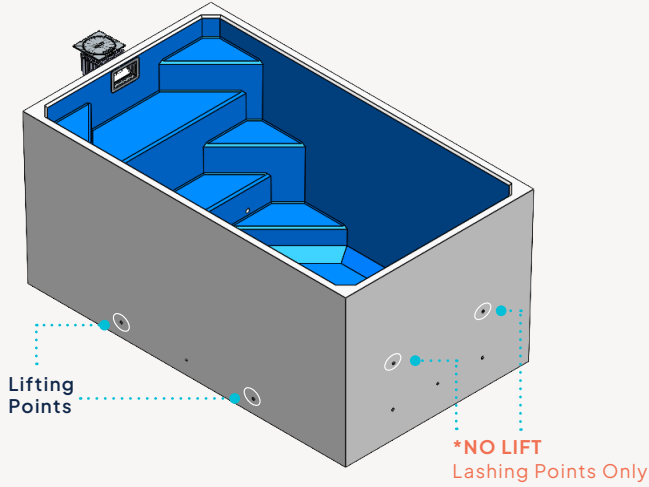
INSTALLATION GUIDE

Lifting Guide

Studio

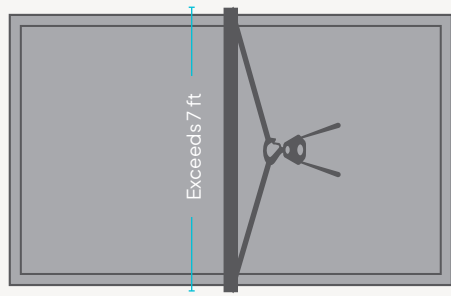
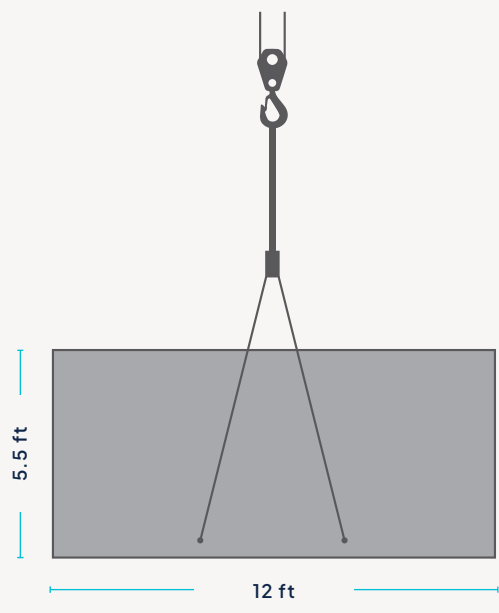


Lifting Diagram Studio



Plungie Studio Lifting Specifications

Length	12 ft
Width	7 ft
Height	5.5 ft
Weight	13,200 lbs
Lift Type	Spreader bar with straps / chains
Lifting Points	1" x 4" Coil Bolts (provided)
Tool Required	1 1/2" Deep Socket and Extended Socket Ratchet



!

Please note:

The tools required must be provided by the crane company. Upon arrival, move the swivels from the lashing position to the lifting position. Damage to the product may occur if not lifted correctly. Padding or a guard may be needed in cases to prevent physical damage.