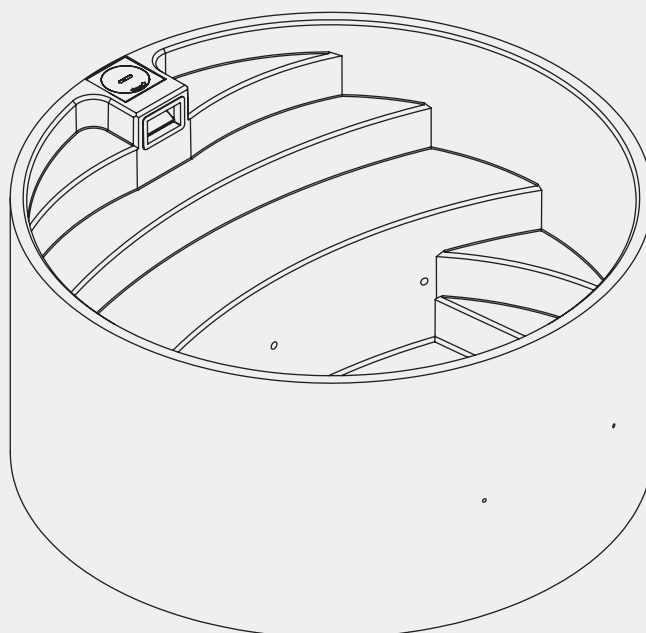


PLUNGIE SPECIFICATIONS

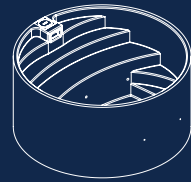
Plungie Arena

Specifications + Dimensions

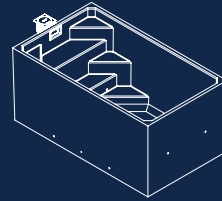


V 2.0

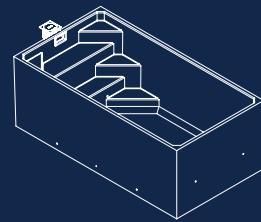
Plungie Model



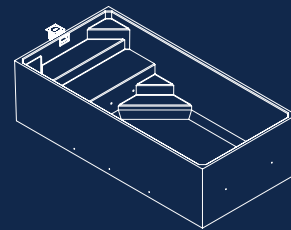
Plungie Arena
11' 5" diameter



Plungie Studio
12' x 7'



Plungie Original
15' x 8'

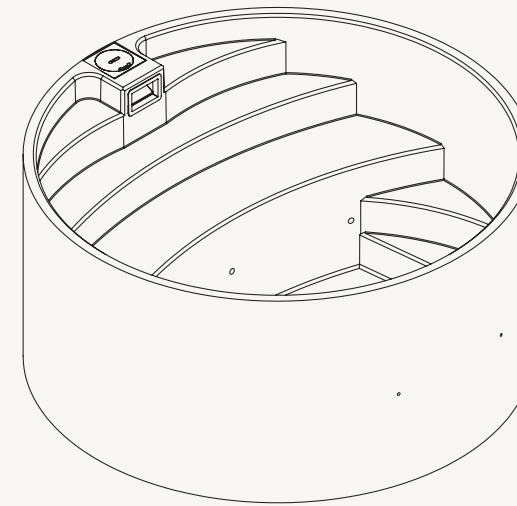


Plungie Max
20' x 10'

Whilst Plungie Pty Ltd has made every effort to ensure the accuracy and effectiveness of this information, we make no representation as to the accuracy or effectiveness of the information and take no responsibility for any loss, damage or injury which may be caused as a direct or indirect result of the use of this information.

Plungie Arena

11' 5" diameter



Say hello to the Plungie Arena - the precast round concrete pool of your dreams! The perfect fit for any size yard, the Plungie Arena's round shape makes it the top choice for homeowners looking for a great solution for lounging or recreational swims.

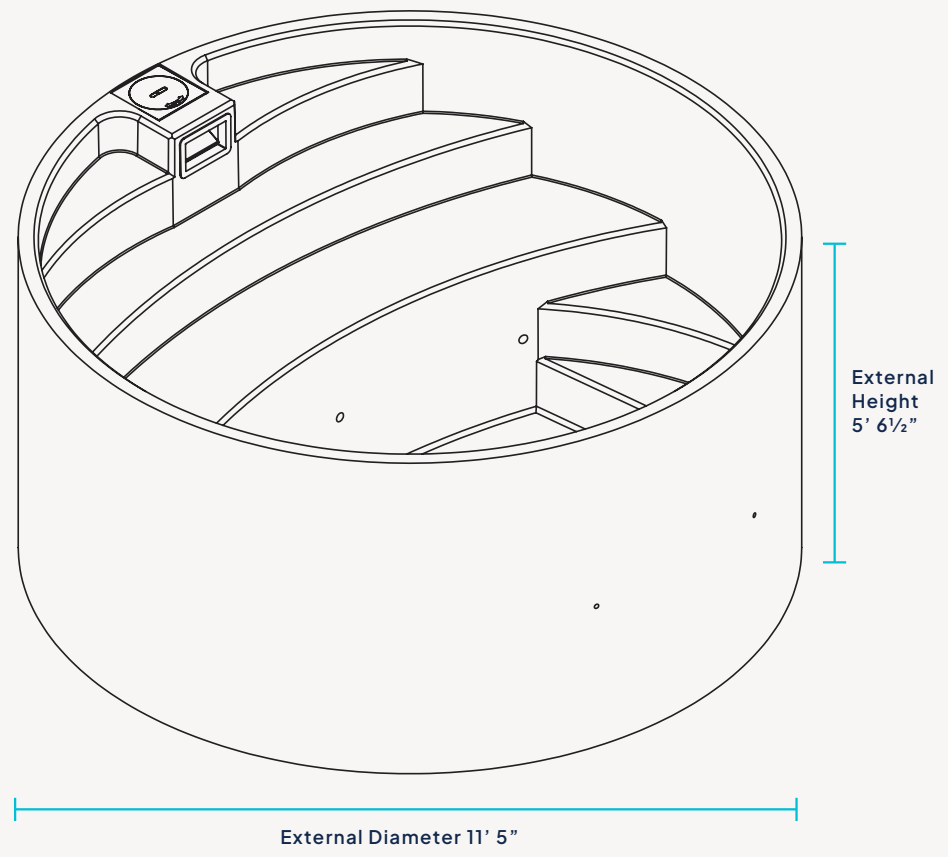
A circular pool with plenty of bench space, the Plungie Arena is the ideal pool for bringing together family and friends on hot summer days.



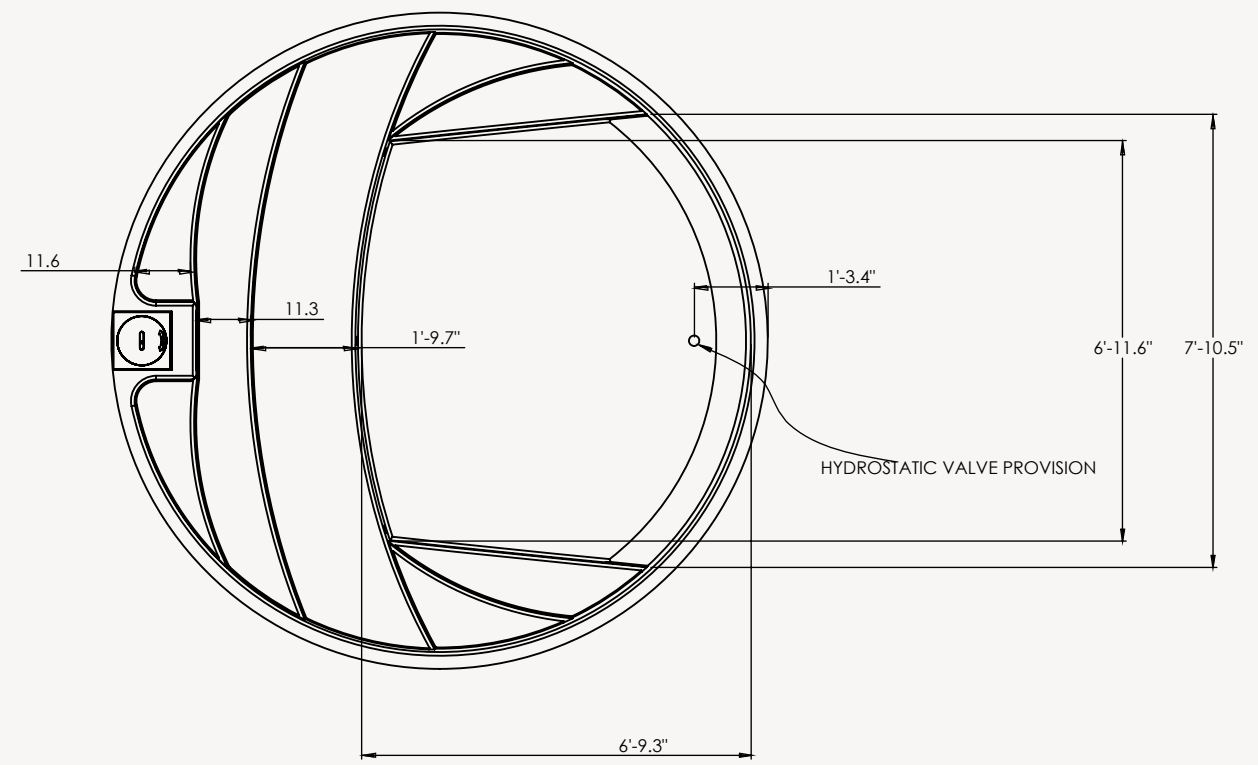
**View the
Arena online**

INCLUSIONS

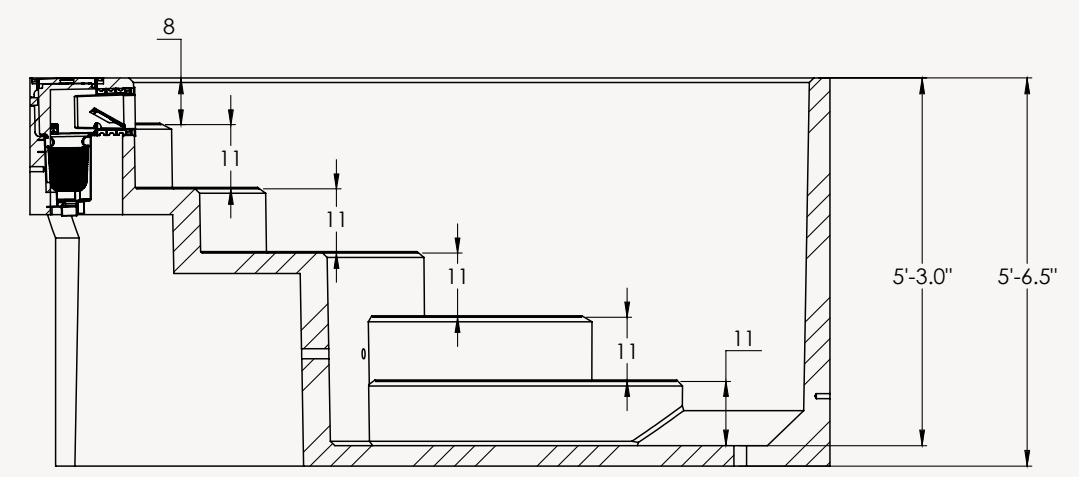
- Highly engineered concrete pool shell
- High-performance ecoFinish interior coating
- Primary pool fittings pre-plumbed to shell including:
 - Multi-coloured LED Light
 - Skimmer Box
 - 2x pre-plumbed returns and 2x secondary suction
- Hydrostatic valve
- Technical designs and pre-engineered specifications
- Our Plungie ten-year structural warranty
- Option to add equipment package including pump, chlorinator and filter



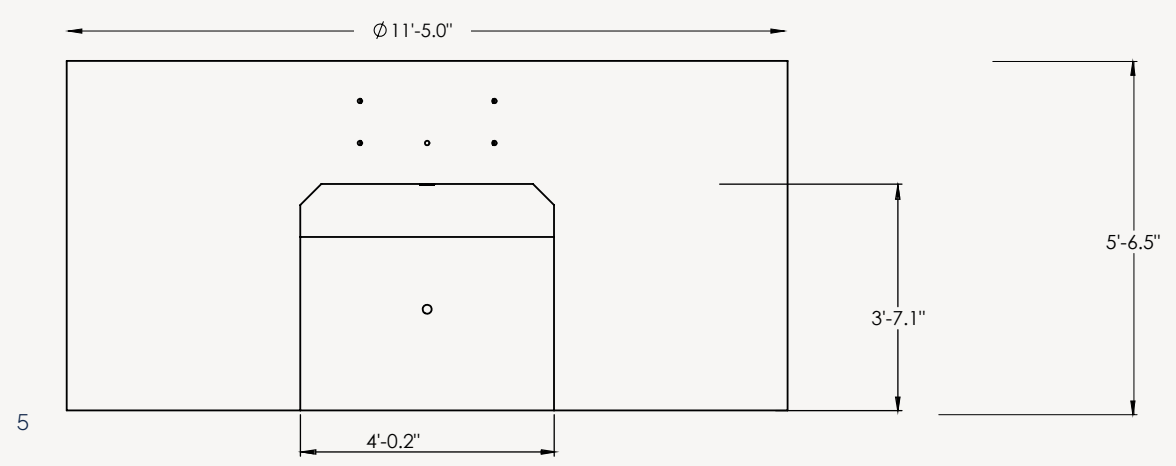
AERIAL DIMENSIONS



SIDE VIEW



SKIMMER / STEP END VIEW



Diameter	External 11' 5"	Internal 10' 10"
Height	External 5' 6½"	Internal 5' 3"
Volume	2,375 gal	
Dry Weight	16,000 lbs	

