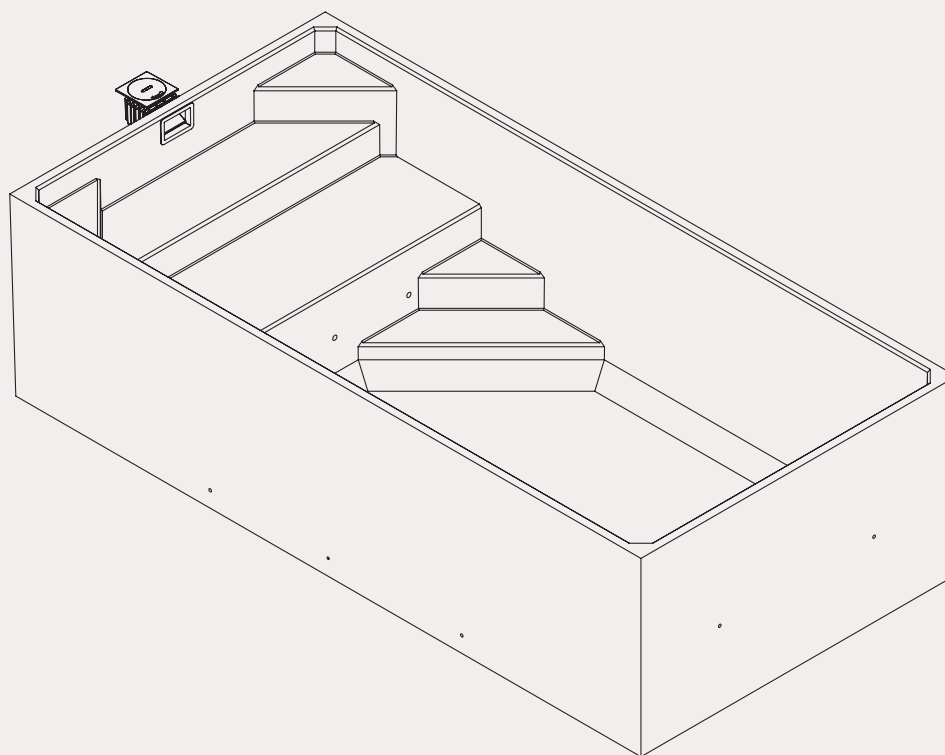


PLUNGIE SPECIFICATIONS

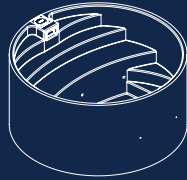
# Plungie Max

Specifications + Dimensions

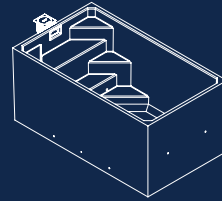


V 2.0

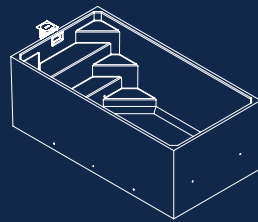
## Plungie Model



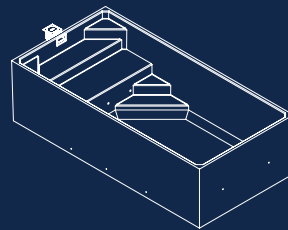
**Plungie Arena**  
11' 5" diameter



**Plungie Studio**  
12' x 7'



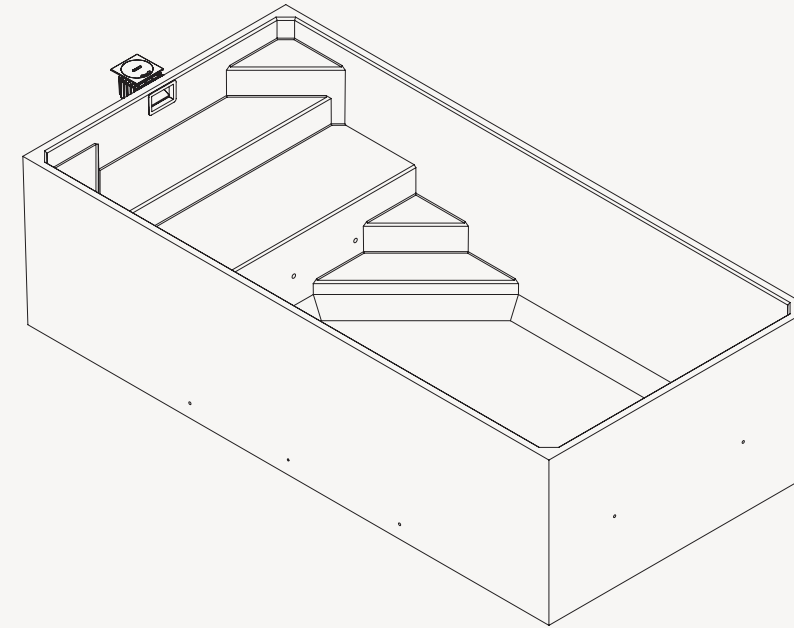
**Plungie Original**  
15' x 8'



**Plungie Max**  
20' x 10'

# Plungie Max

20' x 10'



Measuring a generous 20ft x 10ft, the Plungie Max is the world's largest monolithic precast concrete swimming pool. Perfect for anyone seeking fun and relaxation poolside, the Plungie Max pre-cast pool offers 40 sq ft of bench space and plenty of room to have a great time with family and friends!

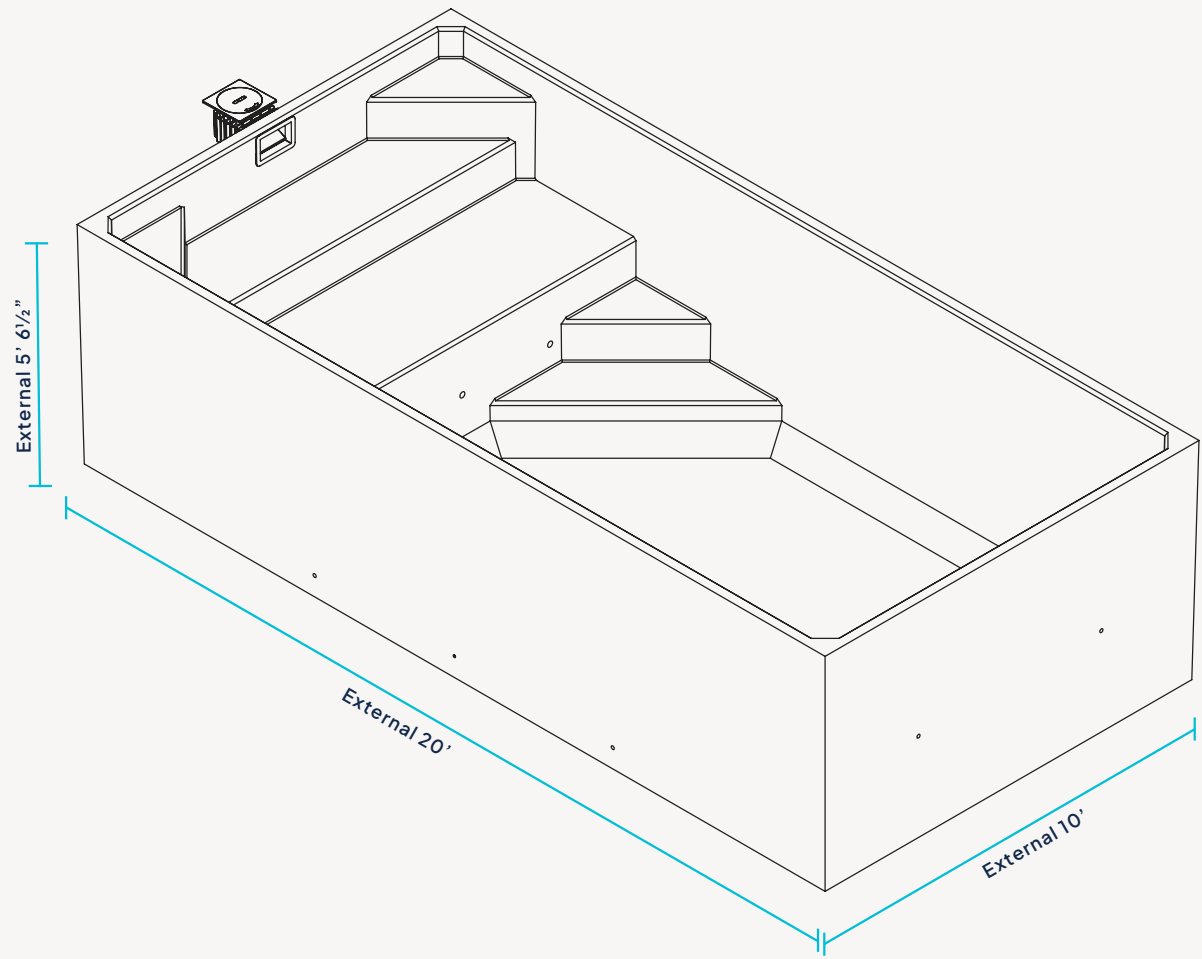
As one of our best-selling, the Plungie Max pre-cast pool can be installed in-ground, semi-recessed or above-ground to tie in seamlessly with the rest of your home!



**View the  
Max online**

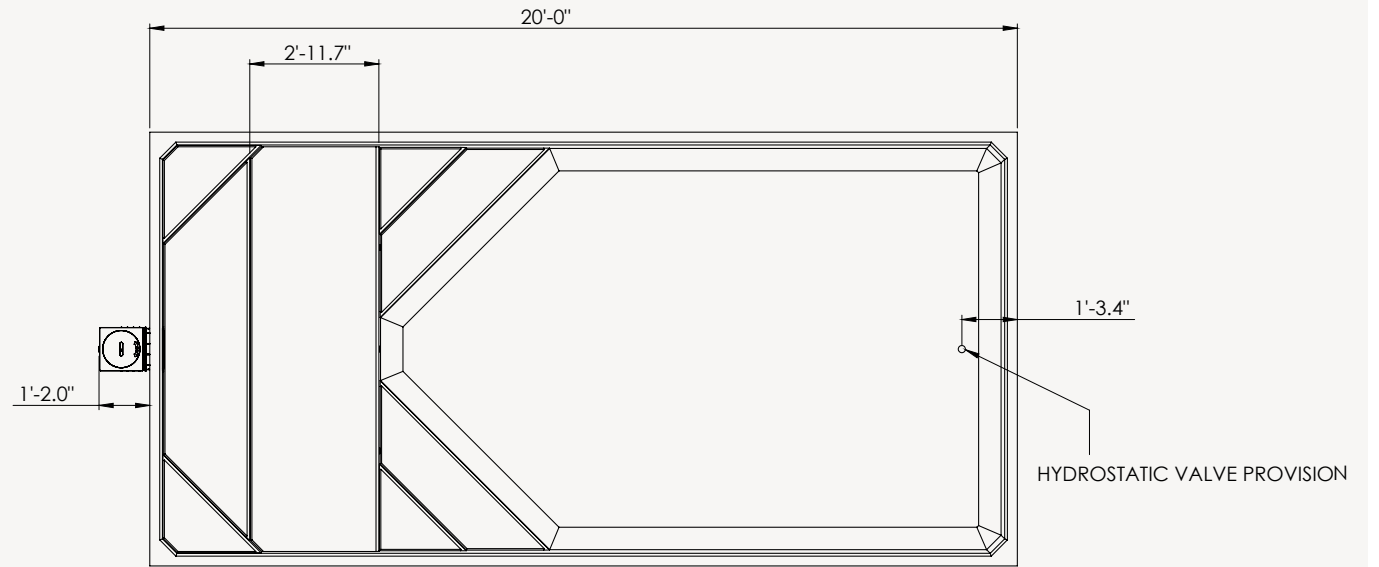
### INCLUSIONS

- Highly engineered concrete pool shell
- High-performance ecoFinish interior coating
- Primary pool fittings pre-plumbed to shell including:
  - Multi-coloured LED Light
  - Skimmer Box
  - 2x pre-plumbed returns and 2x secondary suctions
- Hydrostatic valve
- Technical designs and pre-engineered specifications
- Our Plungie ten-year structural warranty
- Option to add equipment package including pump, chlorinator and filter

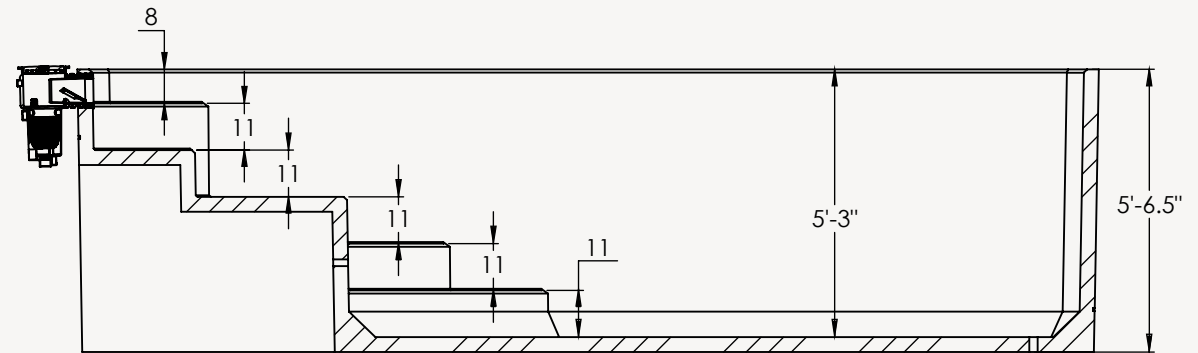


Length	External 20'	Internal 19' 5"
Width	External 10'	Internal 9' 5"
Height	External 5' 6 1/2"	Internal 5' 3"
Volume	5,335 gal	
Dry Weight	25,550 lbs	

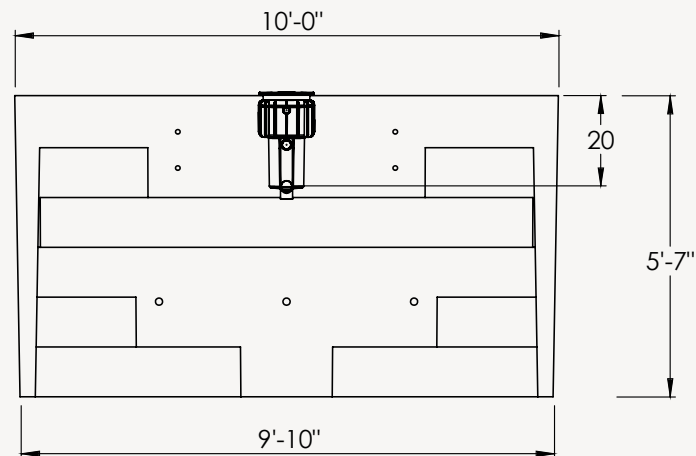
## AERIAL DIMENSIONS



## SIDE VIEW



## SKIMMER / STEP END VIEW



## SKIMMER BOX

