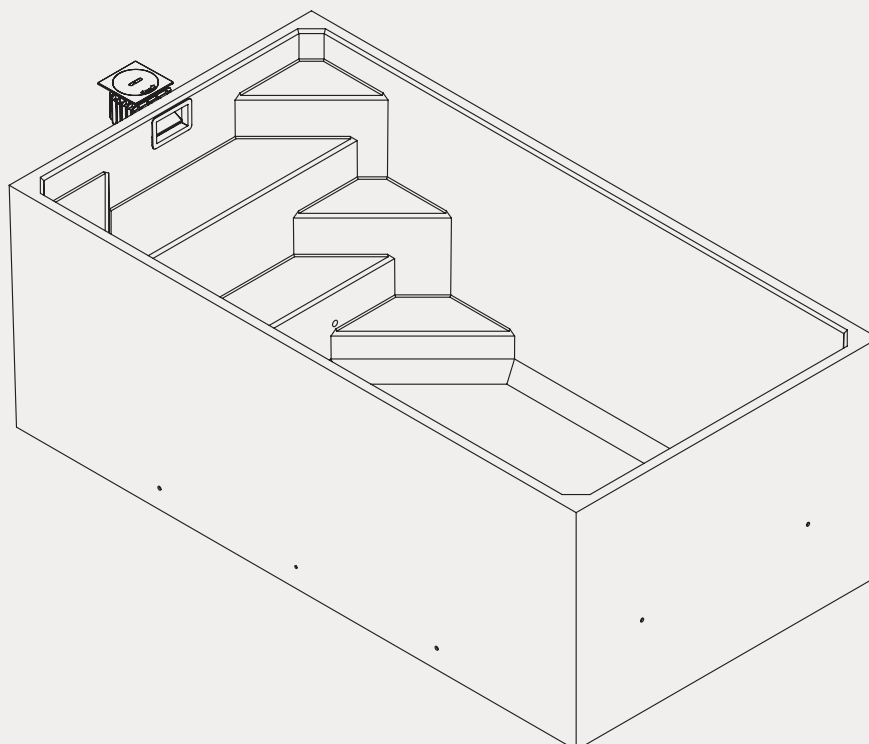


PLUNGIE SPECIFICATIONS

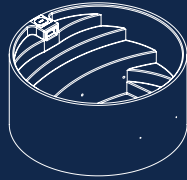
# Plungie Original

Specifications + Dimensions

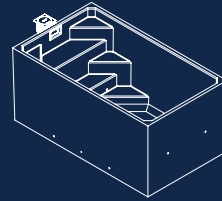


V 2.0

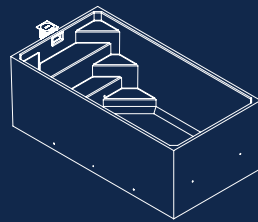
## Plungie Model



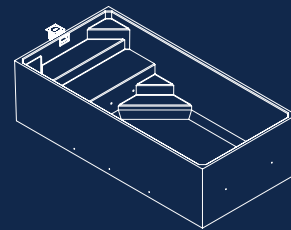
**Plungie Arena**  
11' 5" diameter



**Plungie Studio**  
12' x 7'



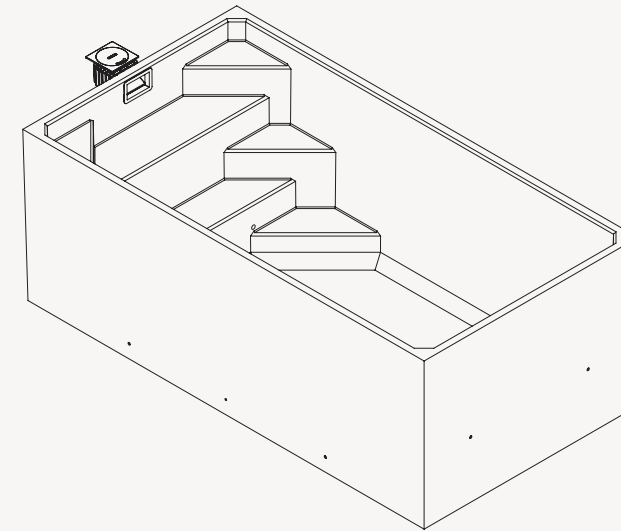
**Plungie Original**  
15' x 8'



**Plungie Max**  
20' x 10'

# Plungie Original

15' x 8'



The Plungie Original is our most popular precast concrete pool and has found its way into the backyards of many American homes.

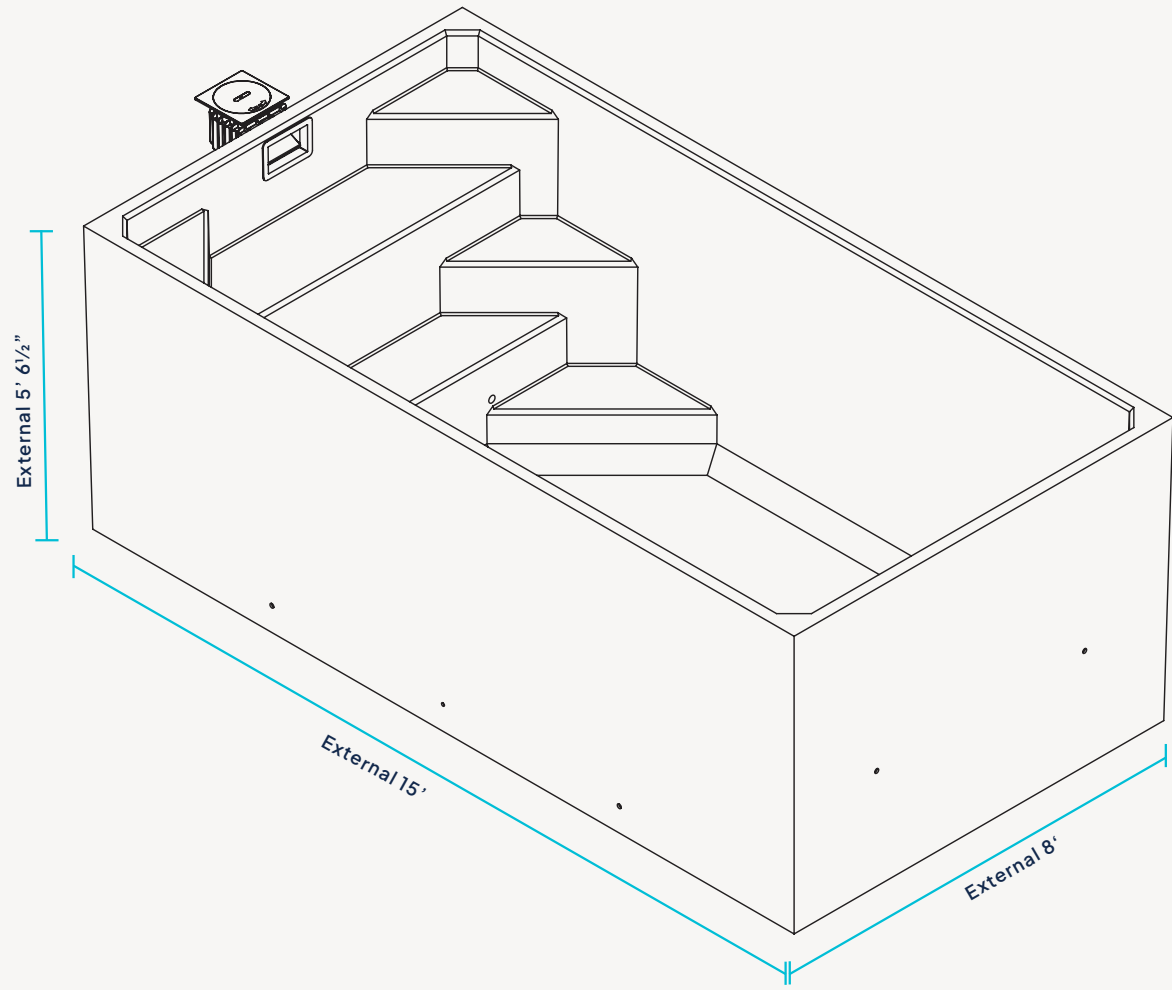
Tried and tested, the the Plungie Original adds instant appeal to your home, encouraging you and your family to spend more time outdoors and enjoy a warm, sunny day! With more than 15 sq ft of bench space and a generous 15ft in length, the Plungie Original is nothing short of poolside perfection.



**View the  
Original online**

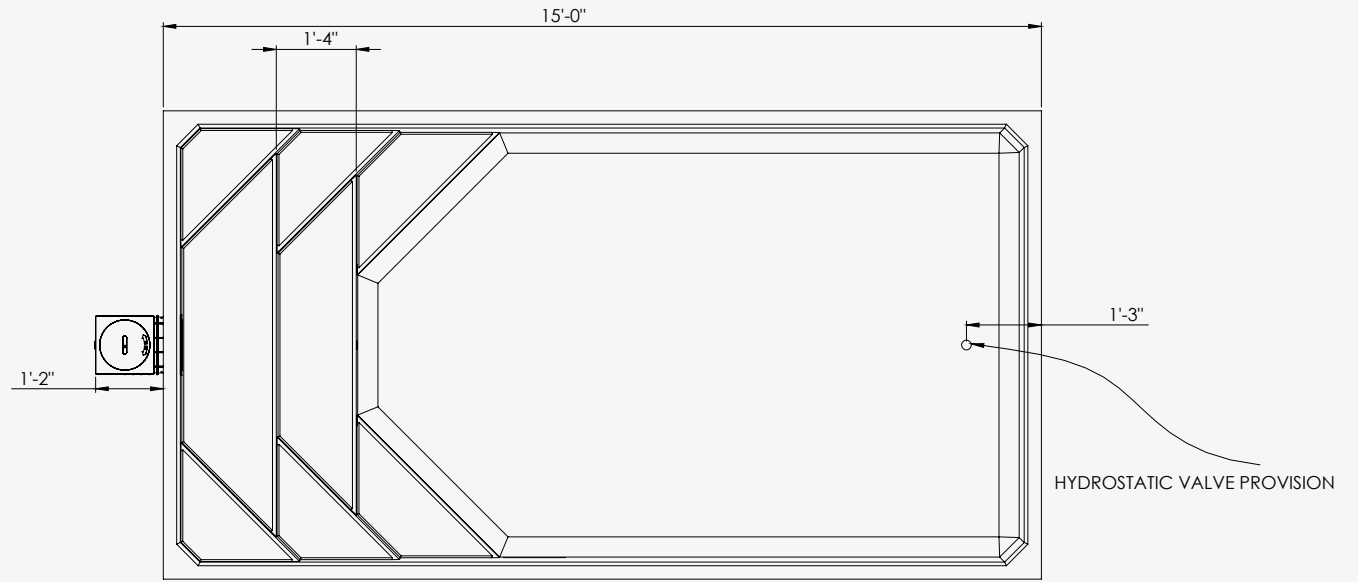
### INCLUSIONS

- Highly engineered concrete pool shell
- High-performance ecoFinish interior coating
- Primary pool fittings pre-plumbed to shell including:
  - Multi-coloured LED Light
  - Skimmer Box
  - 2x pre-plumbed returns and 2x secondary suctions
- Hydrostatic valve
- Technical designs and pre-engineered specifications
- Our Plungie ten-year structural warranty
- Option to add equipment package including pump, chlorinator and filter

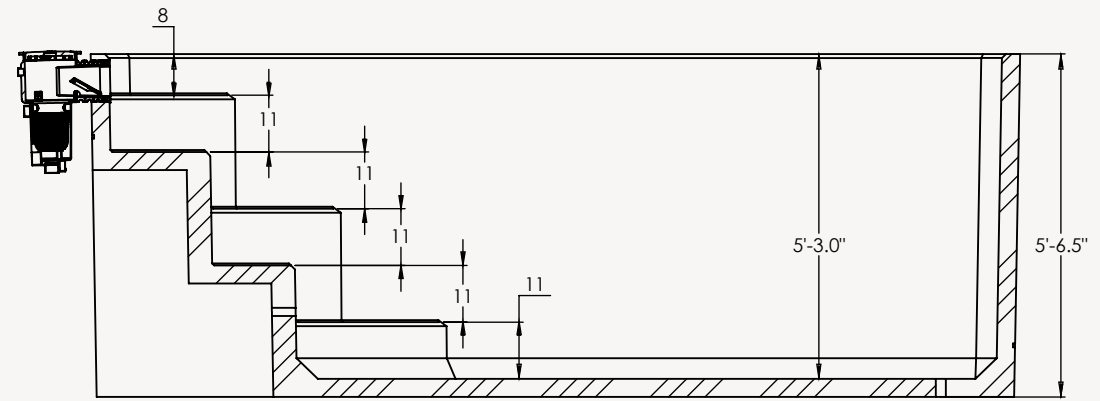


Length	External 15'	Internal 14' 5"
Width	External 8'	Internal 7' 5"
Height	External 5' 6 1/2"	Internal 5' 3"
Volume	3,280 gal	
Dry Weight	18,000 lbs	

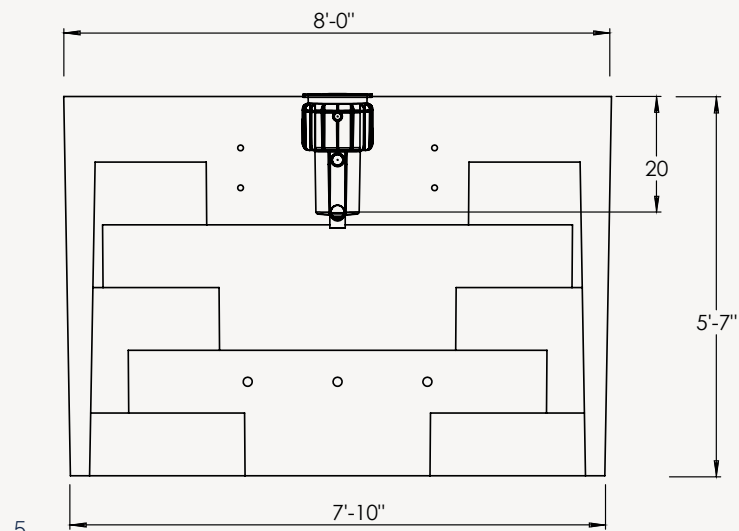
AERIAL DIMENSIONS



SIDE VIEW



SKIMMER / STEP END VIEW



SKIMMER BOX

