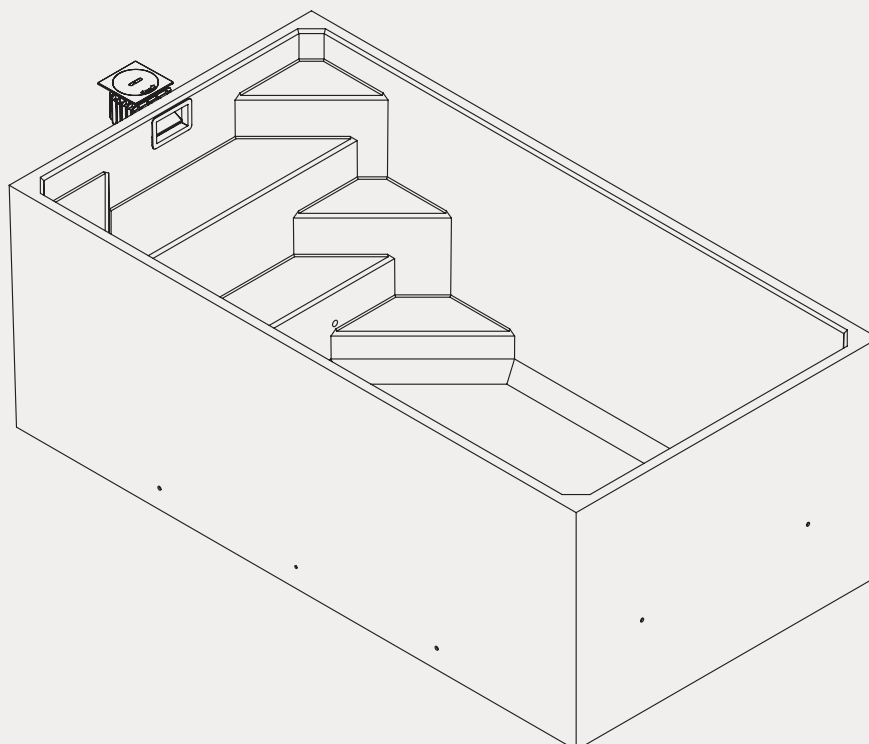


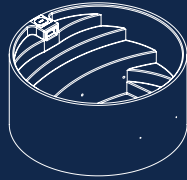
PLUNGIE SPECIFICATIONS

Plungie Original

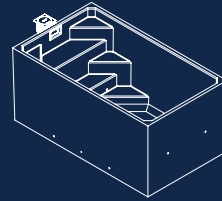
Specifications + Dimensions



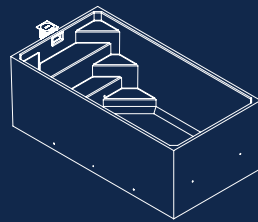
Plungie Model



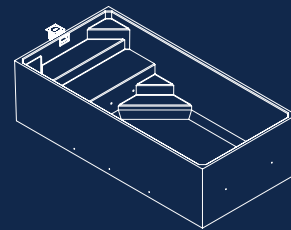
Plungie Arena
11' 5" diameter



Plungie Studio
12' x 7'



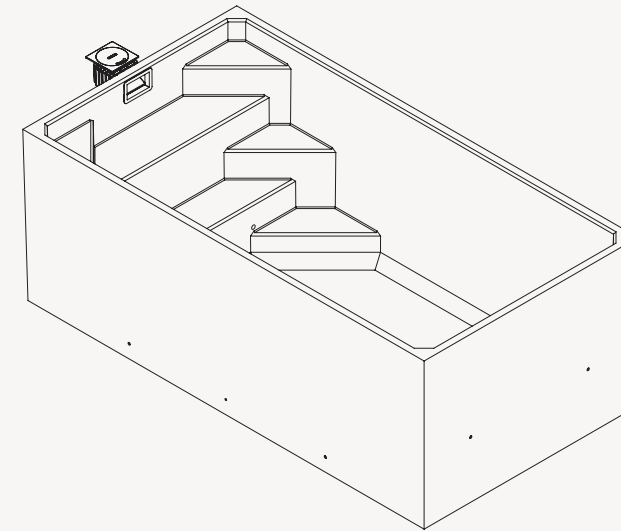
Plungie Original
15' x 8'



Plungie Max
20' x 10'

Plungie Original

15' x 8'



The Plungie Original is our most popular precast concrete pool and has found its way into the backyards of many American homes.

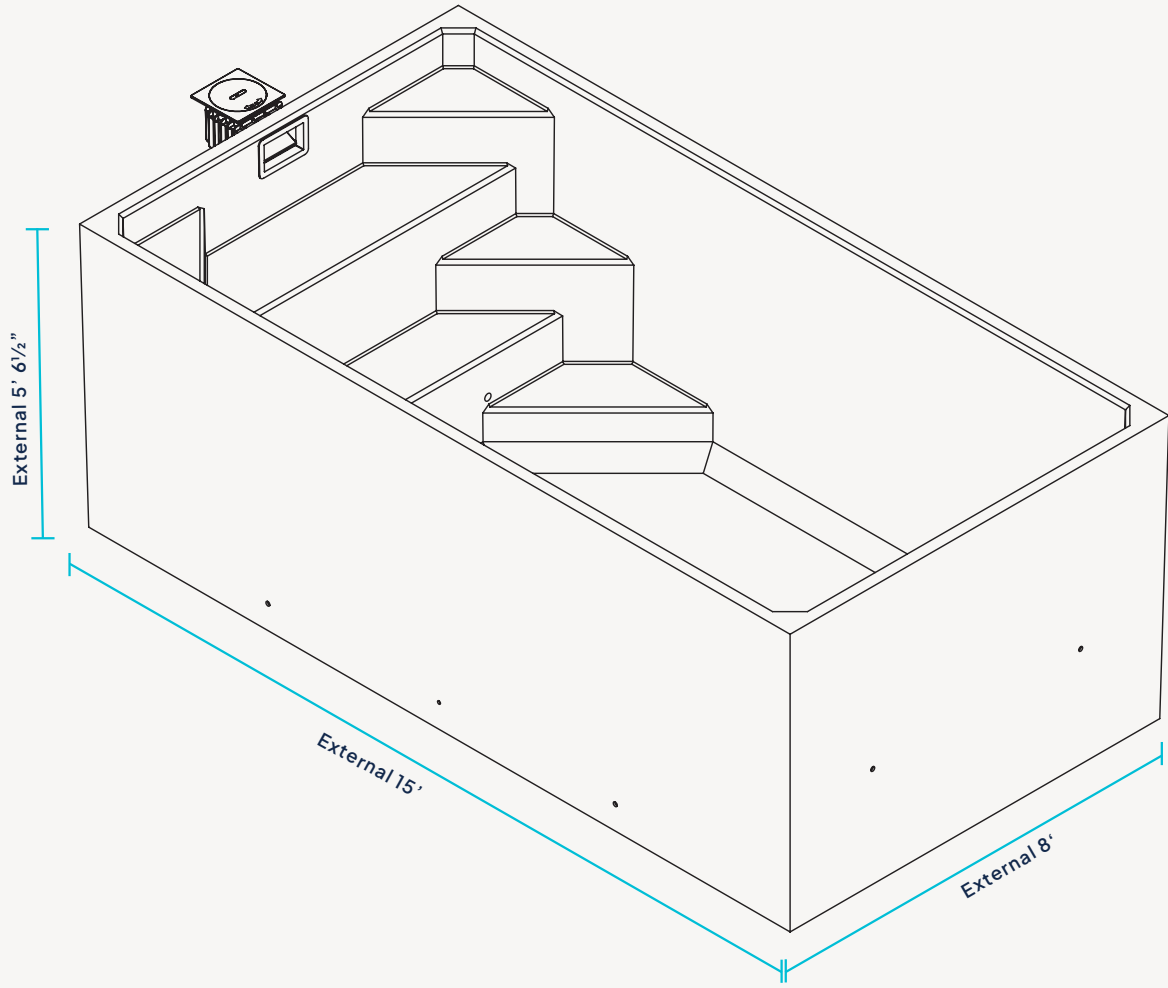
Tried and tested, the the Plungie Original adds instant appeal to your home, encouraging you and your family to spend more time outdoors and enjoy a warm, sunny day! With more than 15 sq ft of bench space and a generous 15ft in length, the Plungie Original is nothing short of poolside perfection.



**View the
Original online**

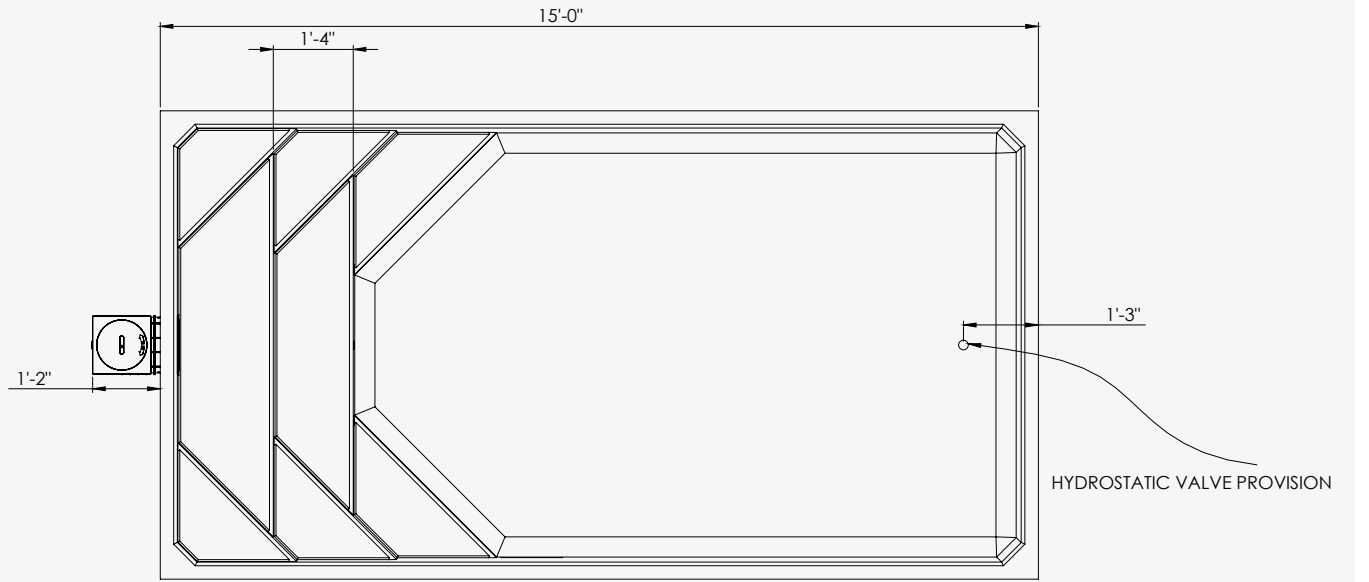
INCLUSIONS

- Highly engineered concrete pool shell
- High-performance ecoFinish interior coating
- Primary pool fittings pre-plumbed to shell including:
 - Multi-coloured LED Light
 - Skimmer Box
 - 2x pre-plumbed returns and 2x secondary suctions
- Hydrostatic valve
- Technical designs and pre-engineered specifications
- Our Plungie ten-year structural warranty
- Option to add equipment package including pump, chlorinator and filter

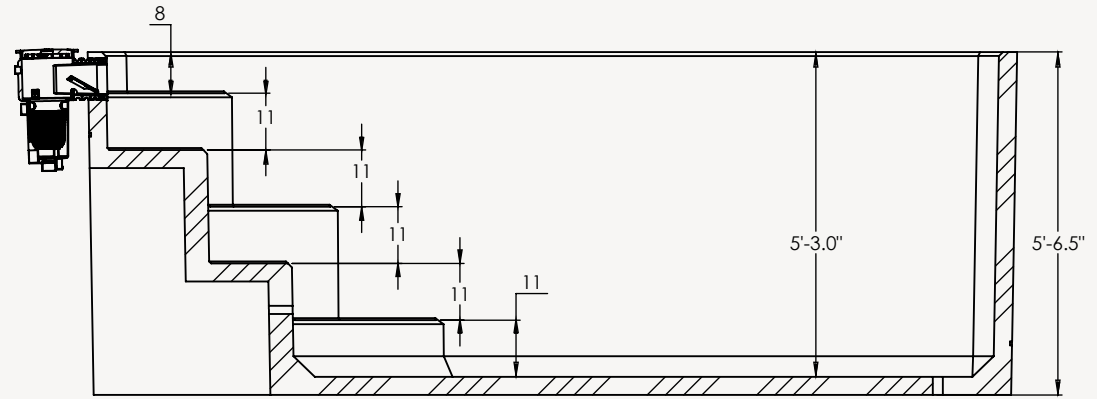


Length	External 15'	
Width	External 8'	
Height	External 5' 6 1/2"	Internal 5' 3"
Volume	3,500 gal	
Dry Weight	17,500 lbs	

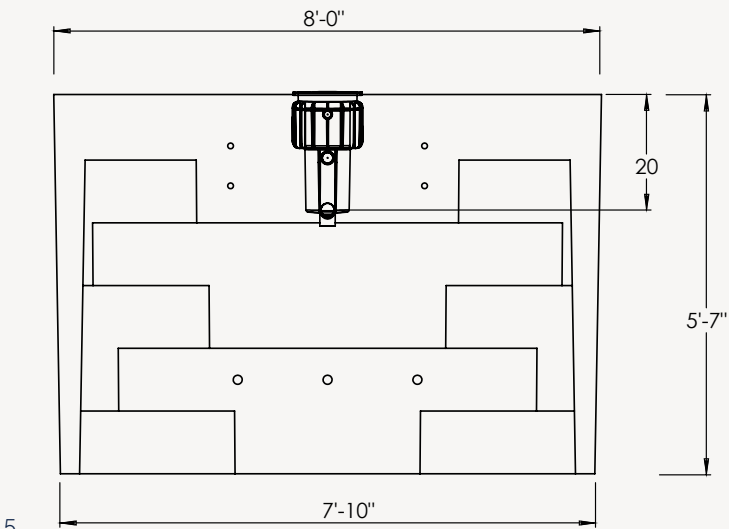
AERIAL DIMENSIONS



SIDE VIEW



SKIMMER / STEP END VIEW



SKIMMER BOX

